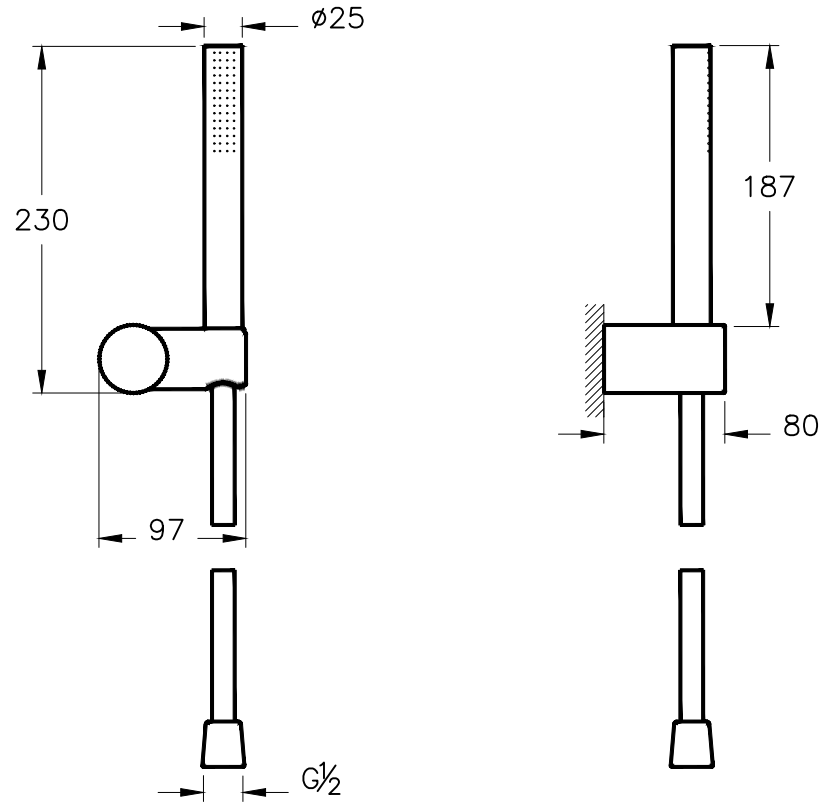


Theoretic Mass(kg)		Revision	
Surface Area(dm ²)		A4	

Thread	Hole	Shaft



R.S	Description	Date	NAME

1	1	Pure El Dusu Takimi		A45543		
item	Quantity	Part Name		Drawing No	Material	Material Class
		Series	Material	Material Class		
		PURE	Pure El Dusu Takimi			
Drawn By	Controlled By	Approved By	Date	Drawing No	Scale	VitrA[®] ARTEMA[®]
F.SENCONCA	G. SAYLISOY	E. TALSİK	14.01.2019	A45543	1/5	

This drawing can only be used for the intended purposes. Unauthorized copying is strictly prohibited.