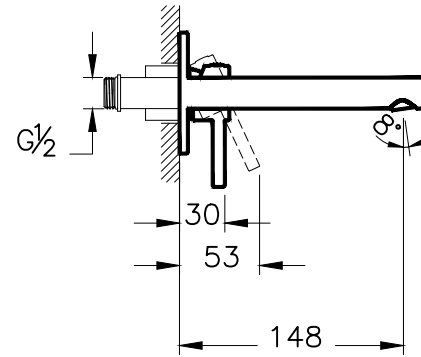
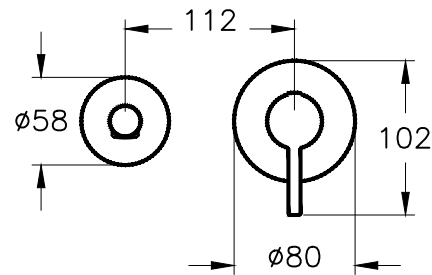
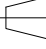



Theoretic Mass(kg)		Revision	
Surface Area(dm ²)		A4	

Thread	Hole	Shaft



R.S	Description	Date	NAME

1	1	Origin Ankastrre Lavabo Bataryasi-S.Üstü		A42581		
item	Quantity	Part Name		Drawing No	Material	Material Class
		Series	Material	Material Class		
		ORIGIN	Origin Ankastrre Lavabo Bataryasi-S.Üstü			
Drawn By	Controlled By	Approved By	Date	Drawing No	Scale	VitrA[®] ARTEMA
F.SENÇONCA	E.CAKIR	E. TALSİK	04.02.2019	A42581	1/5	

This drawing can only be used for the intended purposes. Unauthorized copying is strictly prohibited.