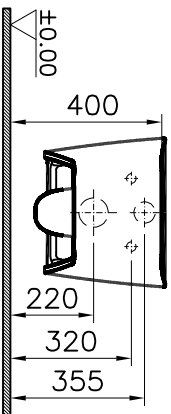
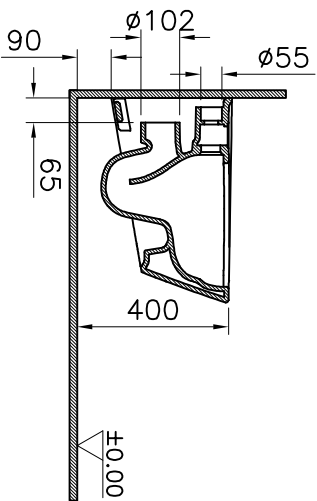
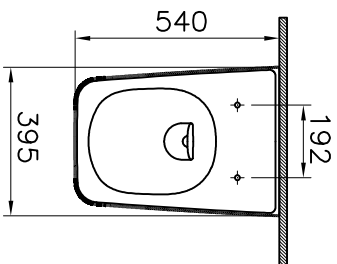


Theoretic Mass(kg)	Revision
Surface Area(dm ²)	A4

Thread	Hole	Shaft



**PROTOTYPE
DRAWING**

Item	Quantity	Part Name	Series	Material	Drawing No	Material	Material Class
1	1	Wall-hung WC		Ceramic	7245-0075	Ceramic	
		<small>This drawing can only be used for the intended purpose. Unauthorised copying is strictly prohibited.</small>					
		Logo by Bellini					
		Wall-hung WC					

Drawn By	Controlled By	Approved By	Date	Drawing No	Scale
T.TAYAR	N.BALTACI	S.YEDAT SARIKOL	26.09.2018	7245	1/20
RS	Description	Date	NAME		

Drawn By	Controlled By	Approved By	Date	Drawing No	Scale
T.TAYAR	N.BALTACI	S.YEDAT SARIKOL	26.09.2018	7245	1/20

Vitra® | ARTEMA®