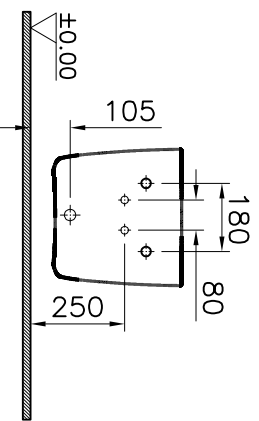
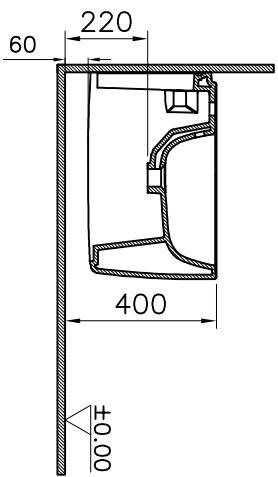
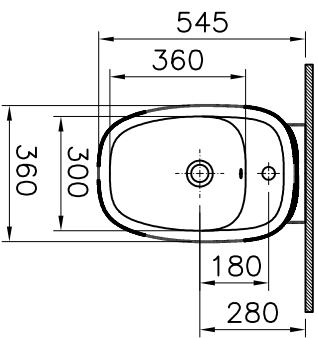


Theoretic Mass(kg)	Revision
Surface Area(dm <sup>2</sup> )	<b>A4</b>

Thread	Hole	Shaft



**PROTOTYPE  
DRAWING**

RS	Description	Date	NAME

Item	Quantity	Asmo Bide	Part Name	Series	Material	Asmo Bide	Drawing No	Ceramic	Material	Material Class
1	1		PIUPAL				7831-0788	Ceramic		
<small>This drawing can only be used for the intended process. Unauthorised copying is strictly prohibited.</small>										
Drawn By	Controlled By	Approved By	Date	Drawing No	Scale					
T.TAYYAR	N.BALTACI	S.YEDAT SARIKOL	15.04.2019	7831	1/20					

**Vitra® | ARTEMAR®**