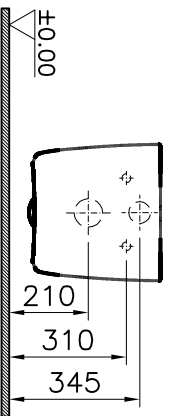
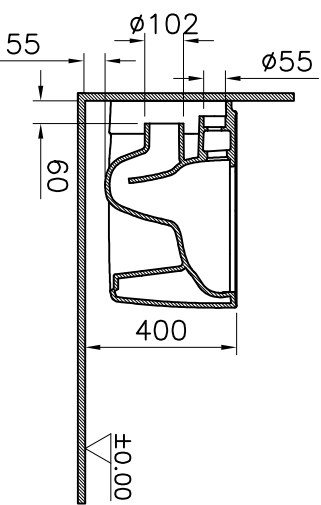
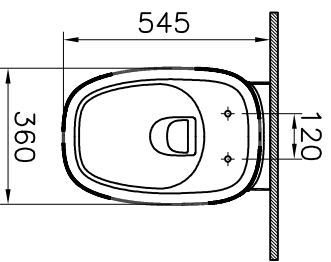


Theoretic Mass(kg)	Revision
Surface Area(dm ²)	A4

Thread	Hole	Shaft



**PROTOTYPE
DRAWING**

Item	Quantity	Asmo Kozel	Part Name	7830-0075	Ceramic		
			Series	PIUPAL	Ceramic		
			Material	Asmo Kozel			
			Drawing No				
			Material Class				

Drawn By	Controlled By	Approved By	Date	Drawing No	Scale
T.TAYAR	N.BALTACI	S.YEDAT SARIGOL	02.10.2018	7830	1/20

RS	Description	Date	NAME

Vitra® | ARTEMA®