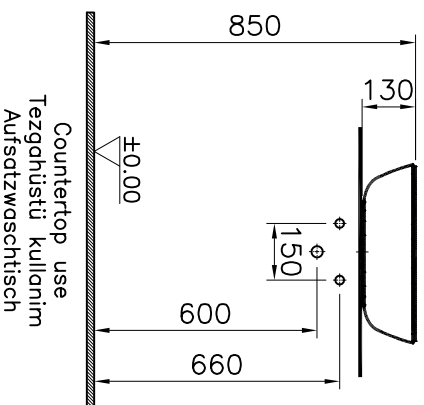
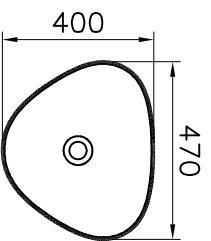
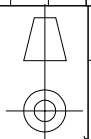


| | |
|--------------------------------|-----------|
| Theoretic Mass(kg) | Revision |
| Surface Area(dm ²) | A4 |

| | | |
|--------|------|-------|
| Thread | Hole | Shaft |
| | | |



| | | | | | |
|------|----------|--------------------------|--------------------------|-----------|----------|
| Item | Quantity | Uygün Akçak Çanak Lavabo | Part Name | 7812-0016 | Ceramic |
| | | | Series | PIUPAL | Material |
| | | | Uygün Akçak Çanak Lavabo | | |
| | | | Ceramic | | |
| | | | Material Class | | |



This drawing can only be used for the intended process. Unauthorised copying is strictly prohibited.

| | | | | | |
|----------|---------------|-----------------|------------|------------|-------|
| Drawn By | Controlled By | Approved By | Date | Drawing No | Scale |
| T.TAYYAR | N.BALTACI | S.YEDAT SARIKOL | 26.09.2018 | 7812 | 1/20 |
| RS | Description | Date | NAME | | |

VITRA® | **ARTEMIA®**