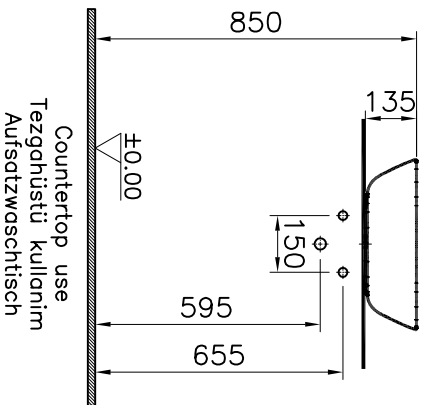
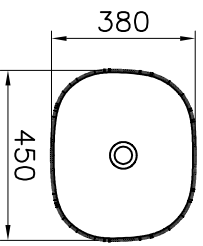


Theoretic Mass(kg)	Revision
Surface Area(dm ²)	A4

Thread	Hole	Shaft



Item	Quantity	Part Name	Series	Material	Drawing No	Material	Material Class
1	1	Kare Aycik Çanak Lavabo	PLURAL	Kare Aycik Çanak Lavabo	7810-0016	Ceramic	Ceramic
<small>This drawing can only be used for the intended process. Unauthorised copying is strictly prohibited.</small>							

Drawn By	Controlled By	Approved By	Date	Drawing No	Scale
T.TAYAR	N.BALTACI	S.YEDAT SARIKOL	26.09.2018	7810	1/20
Date	NAME				
RS	Description				

