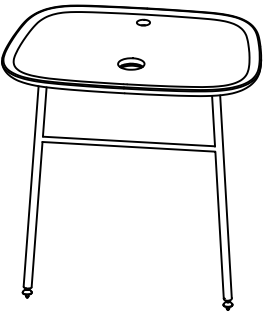
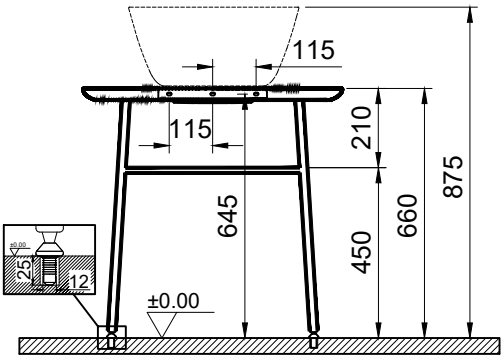
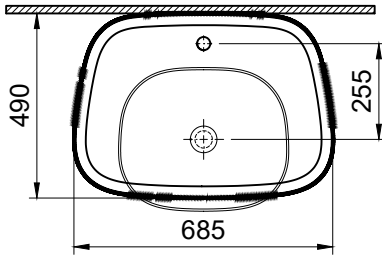


Theoretic Mass(kg)	Revision
Surface Area(dm <sup>2</sup> )	<b>A4</b>

Thread	Hole	Shaft



1	1	Washbasin Unit	62560		
item	Quantity	Part Name	Drawing No	Material	Material Class
		Series	Material	Material Class	
		PLURAL	Washbasin Unit		
Drawn By	Controlled By	Approved By	Date	Drawing No	Scale
T. Cetinel	G. Tuncbilek	V. Sarigol	26.04.2019	62560	1/20

R.S	Description	Date	NAME

This drawing can only be used for the intended purposes. Unauthorized copying is strictly prohibited.

