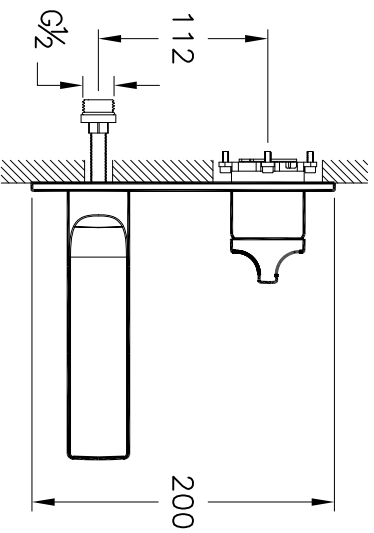
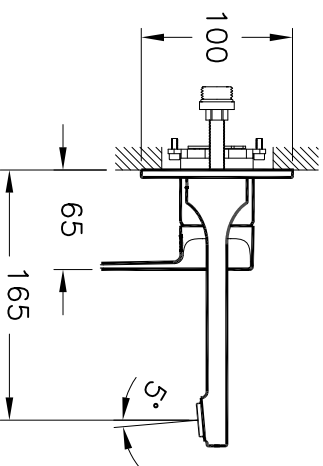


Theoretic Mass(kg)	Revision
Surface Area(dm ²)	A4

Thread	Hole	Shaft



1	1	Built-in Basin Mixer	A42486						
Item	Quantity	Part Name	Drawing No	Material	Material Class				
		Series							
		SUIT							
		Material	Built-in Basin Mixer						
		Scale							
		Drawn By	Controlled By	Approved By	Date	Drawing No	Scale		
		T. CETINEL	O. DILBAZ	V. SARISOL	10.11.2016	A42486	1/5		
		This drawing can only be used for the intended purpose. Unauthorised copying is strictly prohibited.							
		Description		Date	NAME				
		RS							

VITRA® | ARTEMIS®