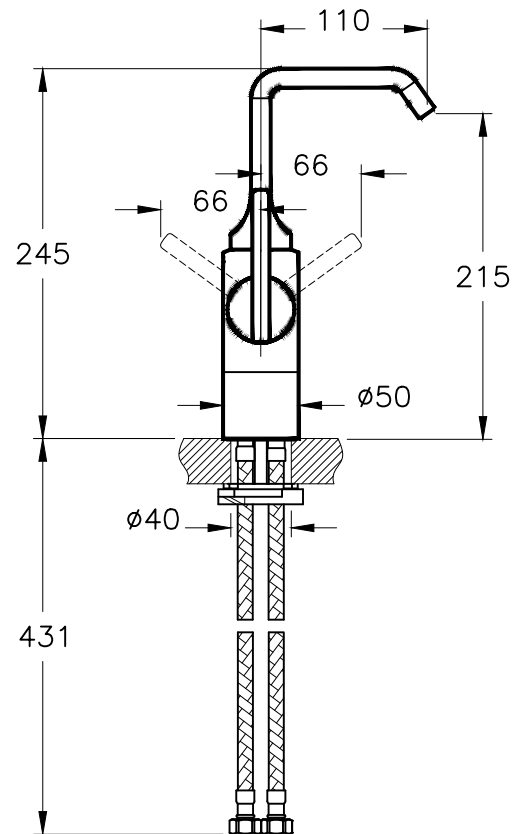
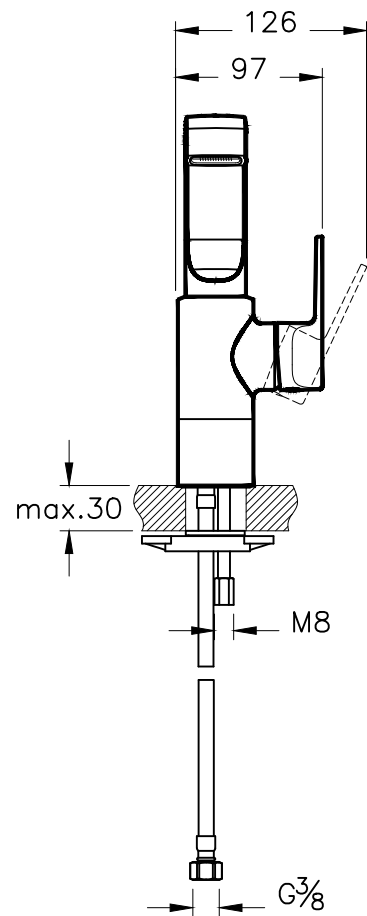


| | | | |
|--------------------------------|--|-----------|--|
| Theoretic Mass(kg) | | Revision | |
| Surface Area(dm ²) | | A4 | |

| | | |
|--------|------|-------|
| Thread | Hole | Shaft |
| | | |



| | | | | | | | | | |
|--|--|--|--|------------|---------------|--------------------|--------------------|--|----------------|
| | | | | 1 | 1 | Basin Mixer (High) | A42469 | | |
| | | | | item | Quantity | Part Name | Drawing No | Material | Material Class |
| | | | | | | Series | Material | Material Class | |
| | | | | | | SUIT | Basin Mixer (High) | | |
| | | | | Drawn By | Controlled By | Approved By | Date | Drawing No | Scale |
| | | | | T. CETINEL | B. CAM | V. SARIGOL | 02.01.2017 | A42469 | 1/5 |
| | | | | R.S | Description | Date | NAME | VitrA[®] ART^{EMA} | |

This drawing can only be used for the intended purposes. Unauthorized copying is strictly prohibited.