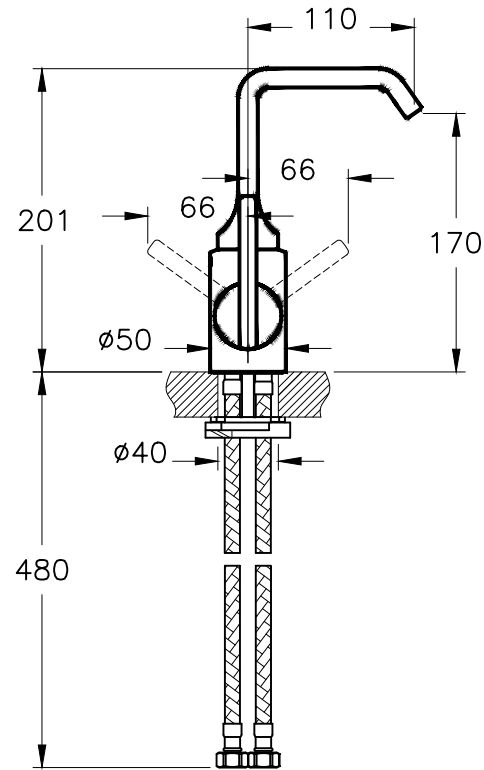
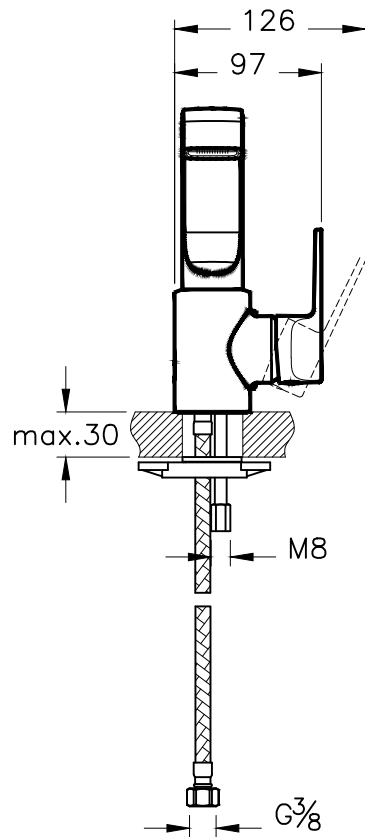


Theoretic Mass(kg)		Revision	
Surface Area(dm ²)		A4	

Thread	Hole	Shaft



1	1	Basin Mixer		A42467		
item	Quantity	Part Name		Drawing No	Material	Material Class
		Series	Material	Material Class		
		SUIT	Basin Mixer			
Drawn By	Controlled By	Approved By	Date	Drawing No	Scale	VitrA[®] ART[®]EMA
T. CETINEL	B. CAM	V. SARIGOL	30.12.2016	A42467	1/5	

R.S	Description	Date	NAME