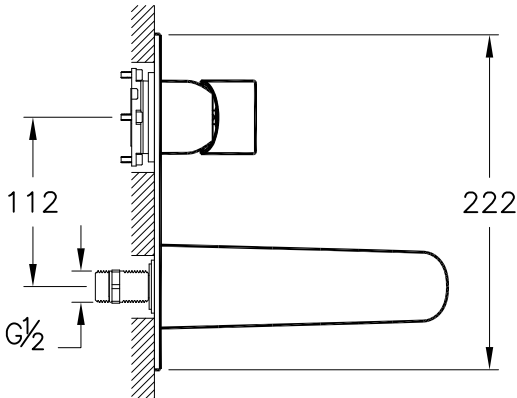
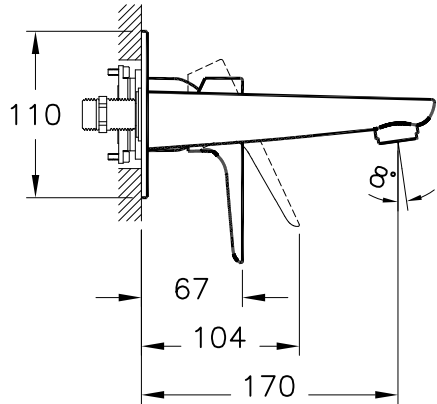
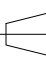



Theoretic Mass(kg)		Revision	
Surface Area(dm ²)		A4	

Thread	Hole	Shaft



R.S	Description	Date	NAME

1	1	Built-in Basin Mixer		A42399		
item	Quantity	Part Name		Drawing No	Material	Material Class
		Series	Material	Material Class		
		X-LINE	Built-in Basin Mixer			
Drawn By	Controlled By	Approved By	Date	Drawing No	Scale	VitrA® ARTEMA®
T. CETINEL	E. OZTURK	E. TALSİK	28.10.2014	A42399	1/5	

This drawing can only be used for the intended purposes. Unauthorized copying is strictly prohibited.