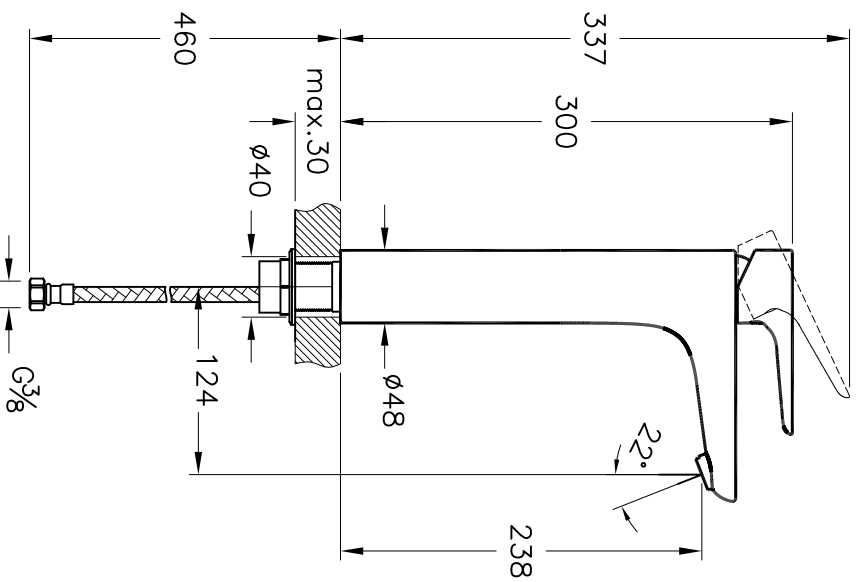


Theoretic Mass(kg)	Revision
Surface Area(dm <sup>2</sup> )	<b>A4</b>

Thread	Hole	Shaft



1	1	Basin Mixer (High)	A42322	Drawing No	Material	Material Class
Item Quantity		Part Name	Drawing No	Material	Material Class	
		Series				
		X-LINE				
		Basin Mixer (High)				

This drawing can only be used for the intended purpose. Unauthorised copying is strictly prohibited.

Drawn By	Controlled By	Approved By	Date	Drawing No	Scale
T. CETINEL	E. OZTURK	E. TALSUK	30.10.2013	A42322	1/5
Date	NAME				
Description					
RS					