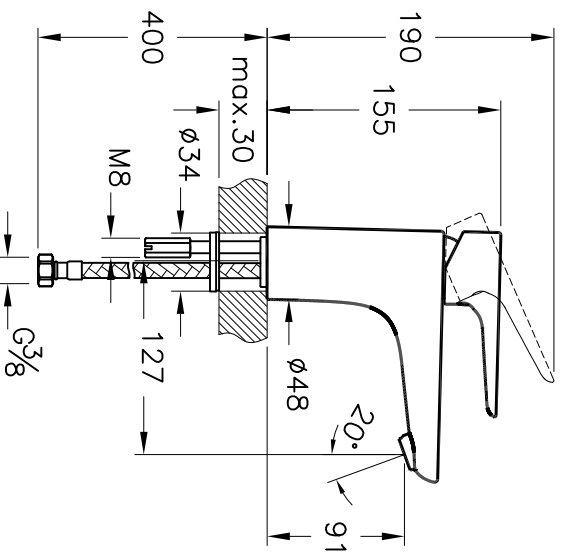


Theoretic Mass(kg)	Revision
Surface Area(dm <sup>2</sup> )	<b>A4</b>

Thread	Hole	Shaft



Item	Quantity	Description
1	1	Basin Mixer
RS		

Item	Quantity	Part Name	Drawing No	Material	Material Class
1	1	Basin Mixer	A42321		
<p>This drawing can only be used for the intended purpose. Unauthorised copying is strictly prohibited.</p>					
Drawn By	Controlled By	Approved By	Date	Drawing No	Scale
T. CETINEL	E. OZTURK	E. TILISK	28.10.2013	A42321	1/5
<b>VITRA®   ARTEMIS®</b>					