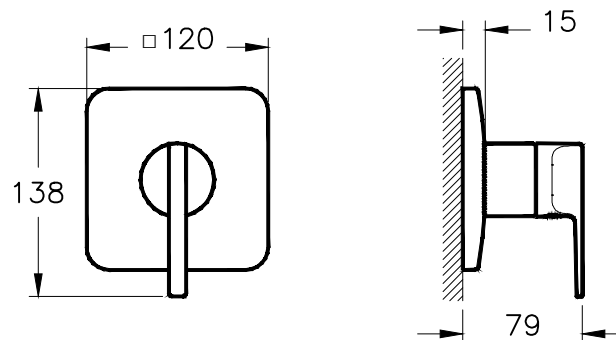
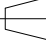



Theoretic Mass(kg)		Revision	
Surface Area(dm2)		A4	

Thread	Hole	Shaft



				1	1	Built-in Shower Mixer (Exposed part)	A42287		
				item	Quantity	Part Name	Drawing No	Material	Material Class
						Series	Material	Material Class	
						SUIT	Built-in Shower Mixer (Exposed part)		
				Drawn By	Controlled By	Approved By	Date	Drawing No	Scale
R.S	Description	Date	NAME	T.CETINEL	M. CIFTCI	V. SARIGOL	27.10.2016	A42287	1/5

VitrA® ART[®]EMA