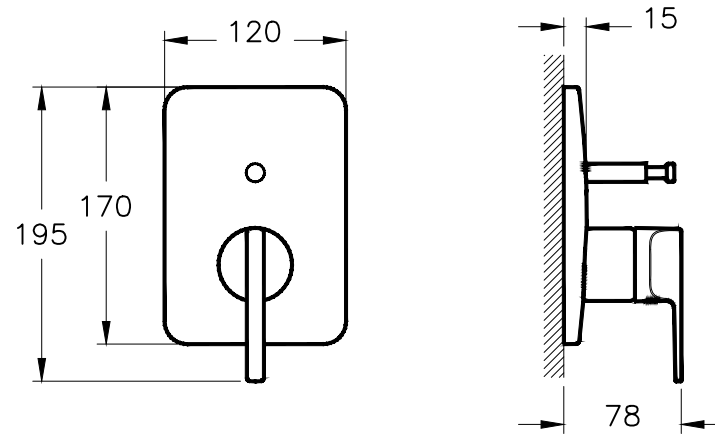


Theoretic Mass(kg)		Revision	
Surface Area(dm ²)		A4	

Thread	Hole	Shaft



				1	1	Built-in Bath/Shower Mixer (Exposed part)	A42286		
				item	Quantity	Part Name	Drawing No	Material	Material Class
						Series	Material	Material Class	
						SUIT	Built-in Bath Mixer		
				Drawn By	Controlled By	Approved By	Date	Drawing No	Scale
R.S	Description	Date	NAME	T.CETINEL	M. CIFTCI	V. SARIGOL	27.10.2016	A42286	1/5

This drawing can only be used for the intended purposes. Unauthorized copying is strictly prohibited.

VitrA[®] ART[®]EMA