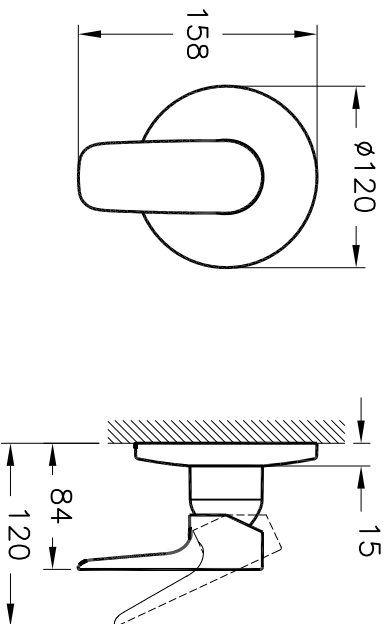


Theoretic Mass(kg)	Revision
Surface Area(dm ²)	A4

Thread	Hole	Shaft



Item	Quantity	Part Name	Material	Material Class
1	1	Built-in Shower Mixer (Exposed Part)	A42952	
<small>This drawing can only be used for the intended purpose. Unauthorised copying is strictly prohibited.</small>				
Drawn By	Controlled By	Approved By	Date	Scale
T.CETINEL	E.OZTURK	E.TAISK	31.10.2013	1/5
Description				
Date				
NAME				

Item	Quantity	Part Name	Material	Material Class
1	1	Built-in Shower Mixer (Exposed Part)	A42952	
<small>This drawing can only be used for the intended purpose. Unauthorised copying is strictly prohibited.</small>				
Drawn By	Controlled By	Approved By	Date	Scale
T.CETINEL	E.OZTURK	E.TAISK	31.10.2013	1/5
Description				
Date				
NAME				

4 3 2 1

A B C D

4 3 2 1

A B C D