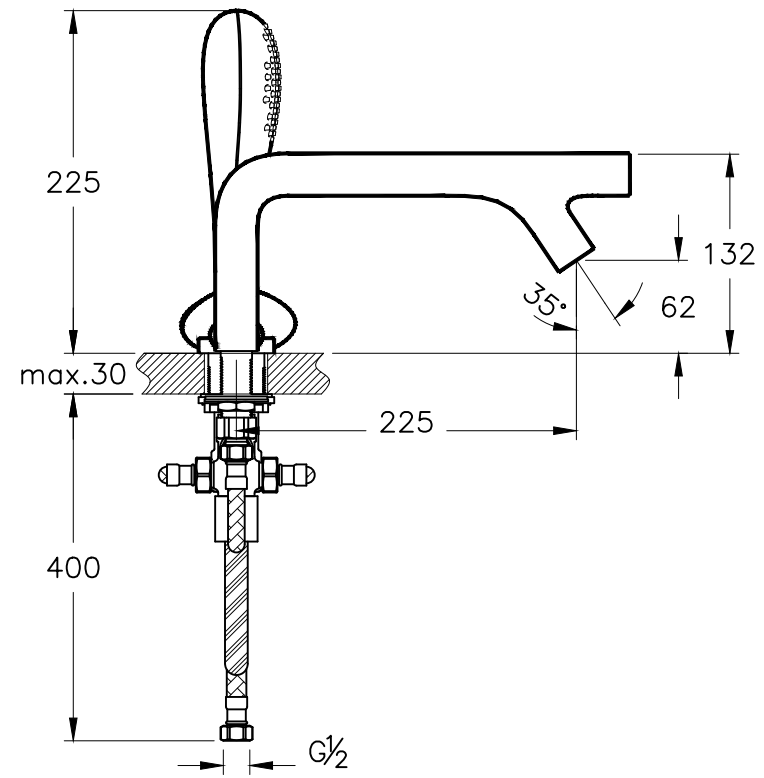
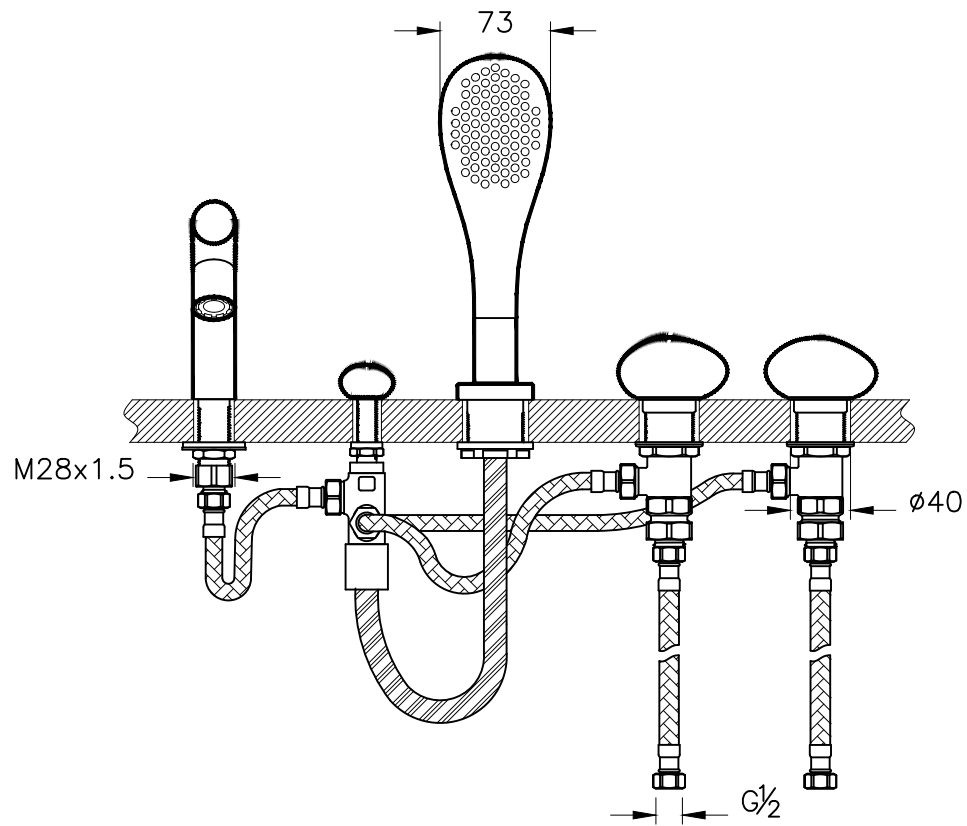


| | | | |
|--------------------------------|--|-----------|--|
| Theoretic Mass(kg) | | Revision | |
| Surface Area(dm ²) | | A4 | |

| | | |
|--------|------|-------|
| Thread | Hole | Shaft |
| | | |



| | | | |
|-----|-------------|------|------|
| | | | |
| | | | |
| | | | |
| R.S | Description | Date | NAME |

| | | | | | | |
|------------|---------------|-------------------|-------------------|----------------|----------|-----------------------|
| 1 | 1 | Bath/Shower Mixer | | A41813 | | |
| item | Quantity | Part Name | | Drawing No | Material | Material Class |
| | | Series | Material | Material Class | | |
| | | ISTANBUL | Bath/Shower Mixer | | | |
| Drawn By | Controlled By | Approved By | Date | Drawing No | Scale | VitrA® ART.EMA |
| T. CETINEL | E. OZTURK | E. TALSİK | 25.05.2011 | A41813 | 1/5 | |

This drawing can only be used for the intended purposes. Unauthorized copying is strictly prohibited.