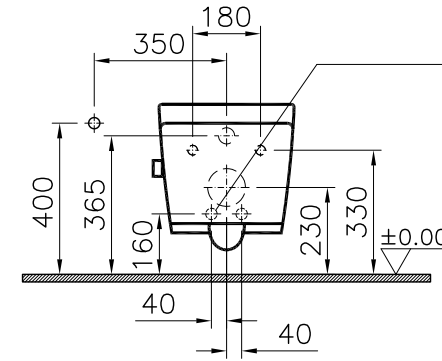
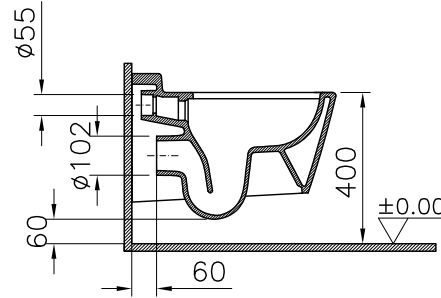
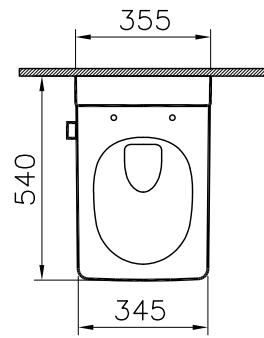


Theoretic Mass(kg)		Revision	
Surface Area(dm ²)		A4	

Thread	Hole	Shaft



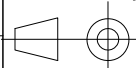
- *Duvar kalınlığına göre ilave boru gerekebilir.
- *Additional pipe may be required due to wall thickness
- *Ein zusätzliches Ablaufrohr ist je nach Wandstärke erforderlich

Gizli taharet
baglantısı (3/8")

Concealed water
inlet (3/8")

R.S	Description	Date	NAME

1	1	Wall-hung WC pan	7743-1598	Ceramic	
item	Quantity	Part Name	Drawing No	Material	Material Class
		Series	Ceramic	Material Class	
Wall-hung WC pan					



This drawing can only be used
for the intended purposes.
Unauthorized copying is
strictly prohibited.

Drawn By	Controlled By	Approved By	Date	Drawing No	Scale
G.GULTER	H.TURKOZ	S.VEDAT SARIGOL	10.11.2014	7743	1/20

VitrA® ART^{EM}A