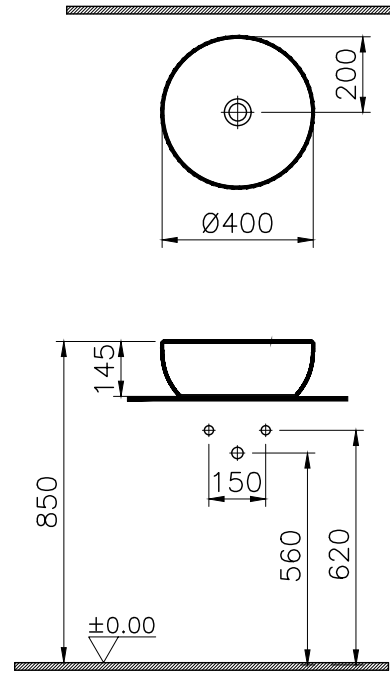
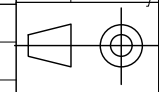


Theoretic Mass(kg)		Revision	
Surface Area(dm ²)			

Thread	Hole	Shaft



1		Washbasin		5992-0016		Ceramic	
No	Quantity	Part Name		Drawing No		Material Class	
		Series	Material	Ceramic		Material Class	
		Washbasin					
Drawn By		Controlled By		Approved By		Date	
G.GULTER		N.BALTACI		V.SARIGOL		21.10.2016	
Date		Signature		Drawing No		Scale	
				5992		1/20	



This drawing can only be used for the intended purposes. Unauthorized copying is strictly prohibited.

Rev.	Details	Date	Signature

VitrA® ART^{EM}A