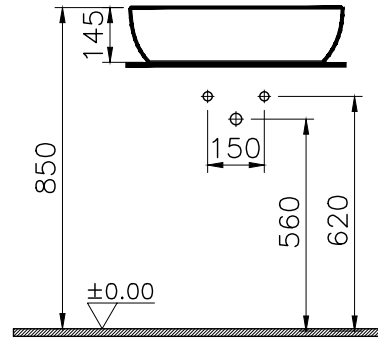
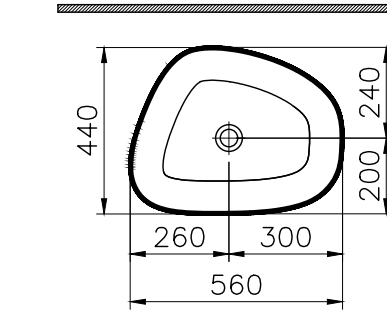
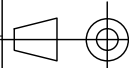


Theoretic Mass(kg)		Revision	
Surface Area(dm ²)			

Thread	Hole	Shaft



1		1		Washbasin		5991-0016		Ceramic			
No		Quantity		Part Name		Drawing No		Material		Material Class	
				Series		Material		Ceramic		Material Class	
				Washbasin							
Rev.		Details		Date		Signature		Drawn By		Controlled By	
								G.GULTER		N.BALTACI	
								Approved By		Date	
								V.SARIGOL		21.10.2016	
								Drawing No		Scale	
								5991		1/20	



This drawing can only be used for the intended purposes. Unauthorized copying is strictly prohibited.

VitrA[®] ART[®]EMA