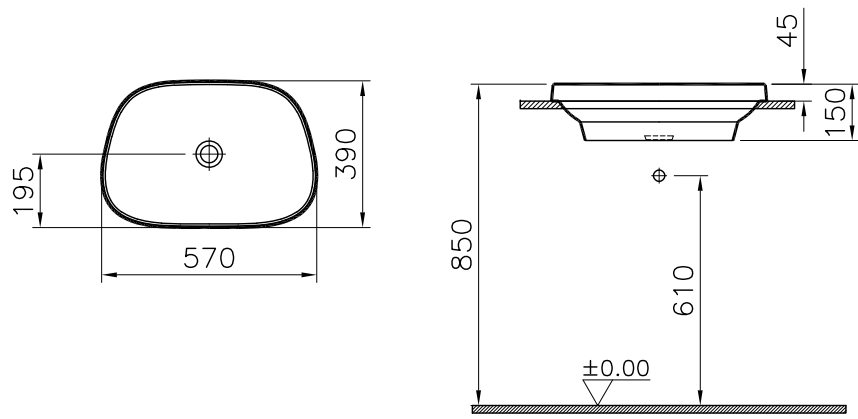


Theoretic Mass(kg)		Revision	
Surface Area(dm <sup>2</sup> )			

Thread	Hole	Shaft



1		1		Washbasin		5653-0016		Ceramic			
No		Quantity		Part Name		Drawing No		Material		Material Class	
				Series		Material		Ceramic		Material Class	
				Washbasin							
Drawn By		Controlled By		Approved By		Date		Drawing No		Scale	
G.GULTER		N.BALTACI		V.SARIGOL		10.02.2017		5653		1/20	

Rev.	Details	Date	Signature

This drawing can only be used for the intended purposes. Unauthorized copying is strictly prohibited.

