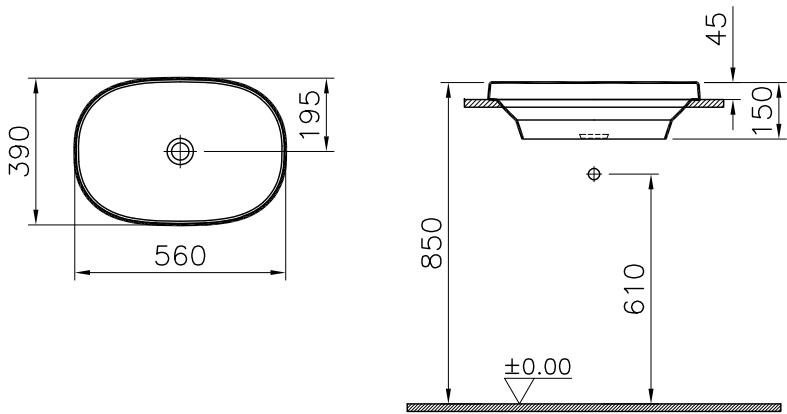


Theoretic Mass(kg)		Revision	
Surface Area(dm ²)			

Thread	Hole	Shaft



1	1	Washbasin	5652-0016	Ceramic	
No	Quantity	Part Name	Drawing No	Material	Material Class
		Series	Material	Ceramic	Material Class
Washbasin					
Drawn By	Controlled By	Approved By	Date	Drawing No	Scale
G.GULTER	N.BALTACI	V.SARIGOL	10.02.2017	5652	1/20

Rev.	Details	Date	Signature

This drawing can only be used for the intended purposes. Unauthorized copying is strictly prohibited.

