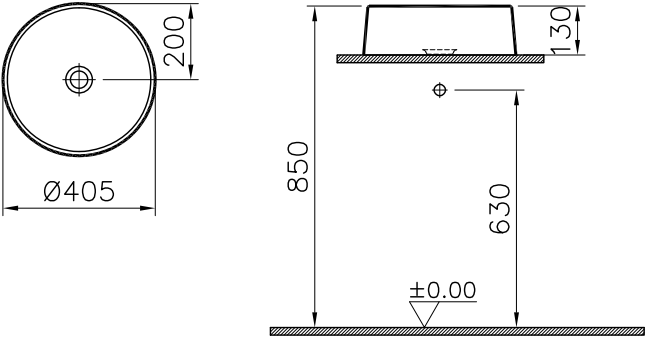


Theoretic Mass(kg)		Revision	
Surface Area(dm ²)			

Thread	Hole	Shaft



1	1	Washbasin	5650-0016	Ceramic	
No	Quantity	Part Name	Drawing No	Material	Material Class
		Series	Material	Ceramic	Material Class
Washbasin					
Drawn By		Controlled By		Approved By	Date
G.GULTER		N.BALTACI		V.SARIGOL	10.02.2017
				Drawing No	Scale
				5650	1/20
VitrA® ARTEMA®					

Rev.	Details	Date	Signature

This drawing can only be used for the intended purposes. Unauthorized copying is strictly prohibited.

