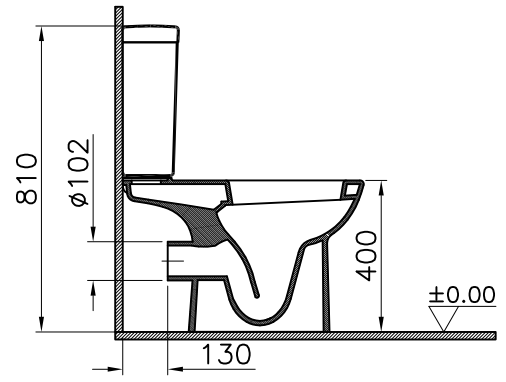
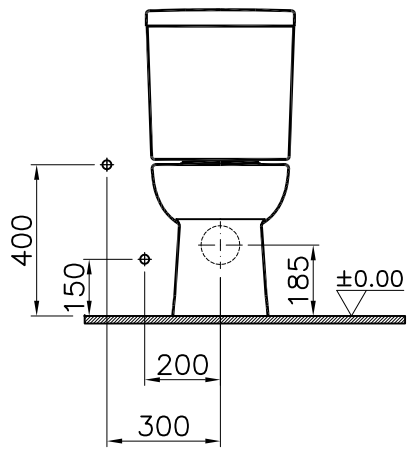
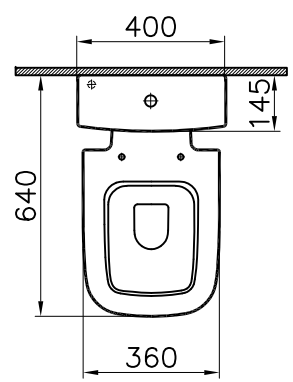


Theoretic Mass(kg)		Revision	
Surface Area(dm ²)		A4	

Thread	Hole	Shaft



01	Replaces Drwing Dated 16.12.2010	25.09.2012	Gokhan
R.S	Description	Date	NAME

2	1	Cistern	5514-0107	Ceramic	
1	1	Close coupled WC Pan	5511-0090	Ceramic	
item	Quantity	Part Name	Drawing No	Material	Material Class
		S20	WC Pan	Ceramic	Material Class
		Series	Material		
		S20		WC Pan	
Drawn By		Controlled By	Approved By	Date	Drawing No
G.GULTER		H.TURKOZ	S.VEDAT SARIGOL	16.12.2010	5511-5514
				Scale	VitrA® ARTEMA®
				1/20	

This drawing can only be used for the intended purposes. Unauthorized copying is strictly prohibited.

D
C
B
A

D
C
B
A

4 3 2 1

4 3 2 1

4 3 2 1

4 3 2 1