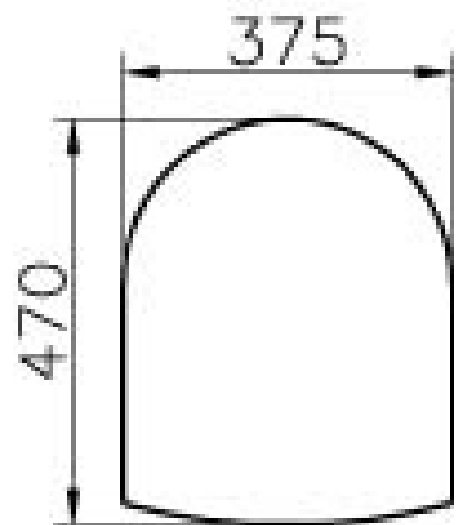
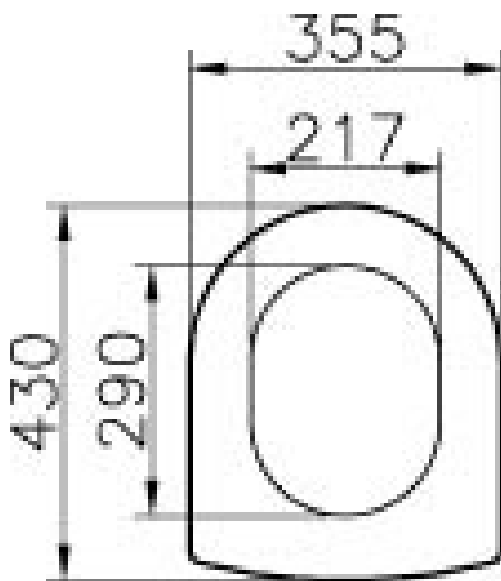


VitrA

Description	Wc Seat
Code	08-003-001
Hinge Option	Metal Hinge, Bottom Fixing
Material	Duroplast
Colour	White



VitrA retains the right to change details about the products and technical specifications without prior notice.