

VitrA

Description

Universal Slim Wc Seat Model 2 - Round Form
(Duroplast, Soft-Closing, Detachable Metal Hinge,
Top Fixing)

Code

110-003-019

Product Properties

Soft-Close

CE

No

Material

Duroplast

VitrA Clean

No

Colour

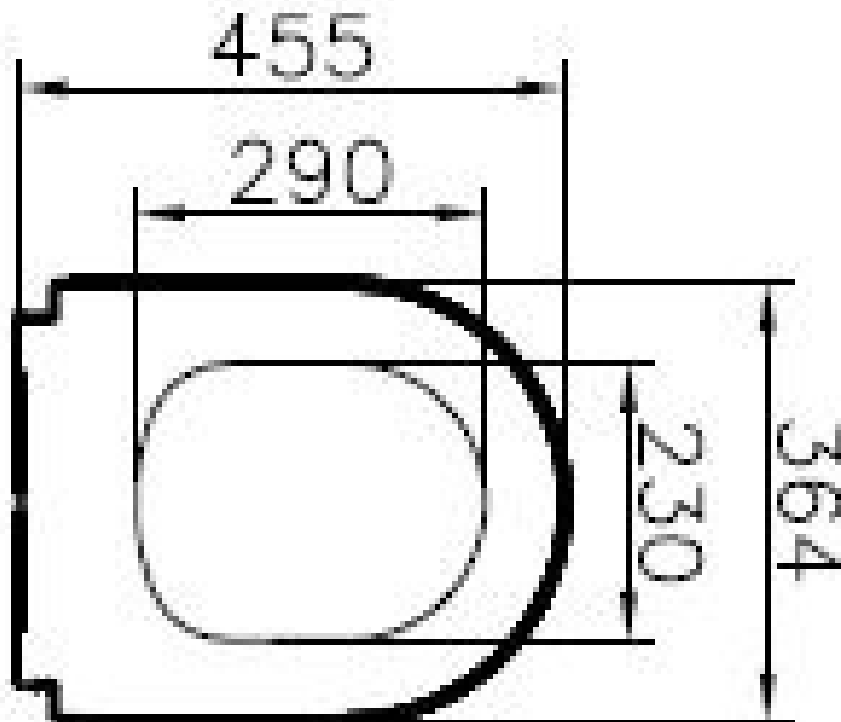
White

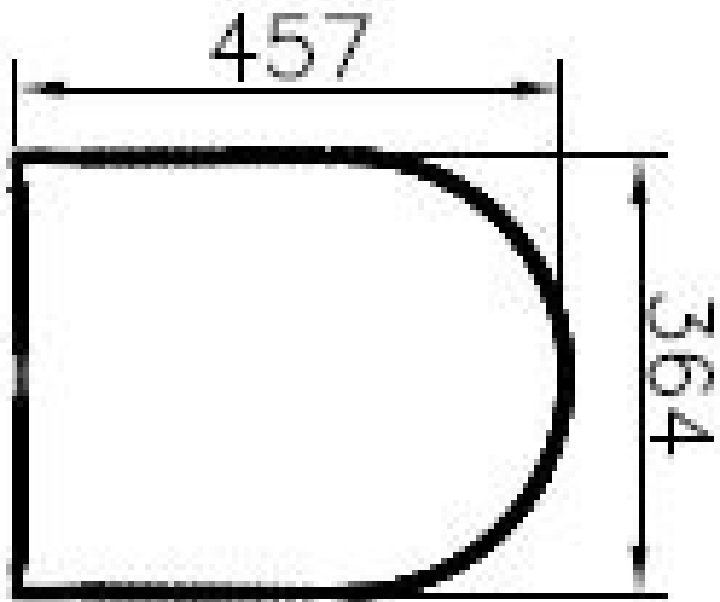
Width

36,4

Height

45,7





VitrA retains the right to change details about the products and technical specifications without prior notice.