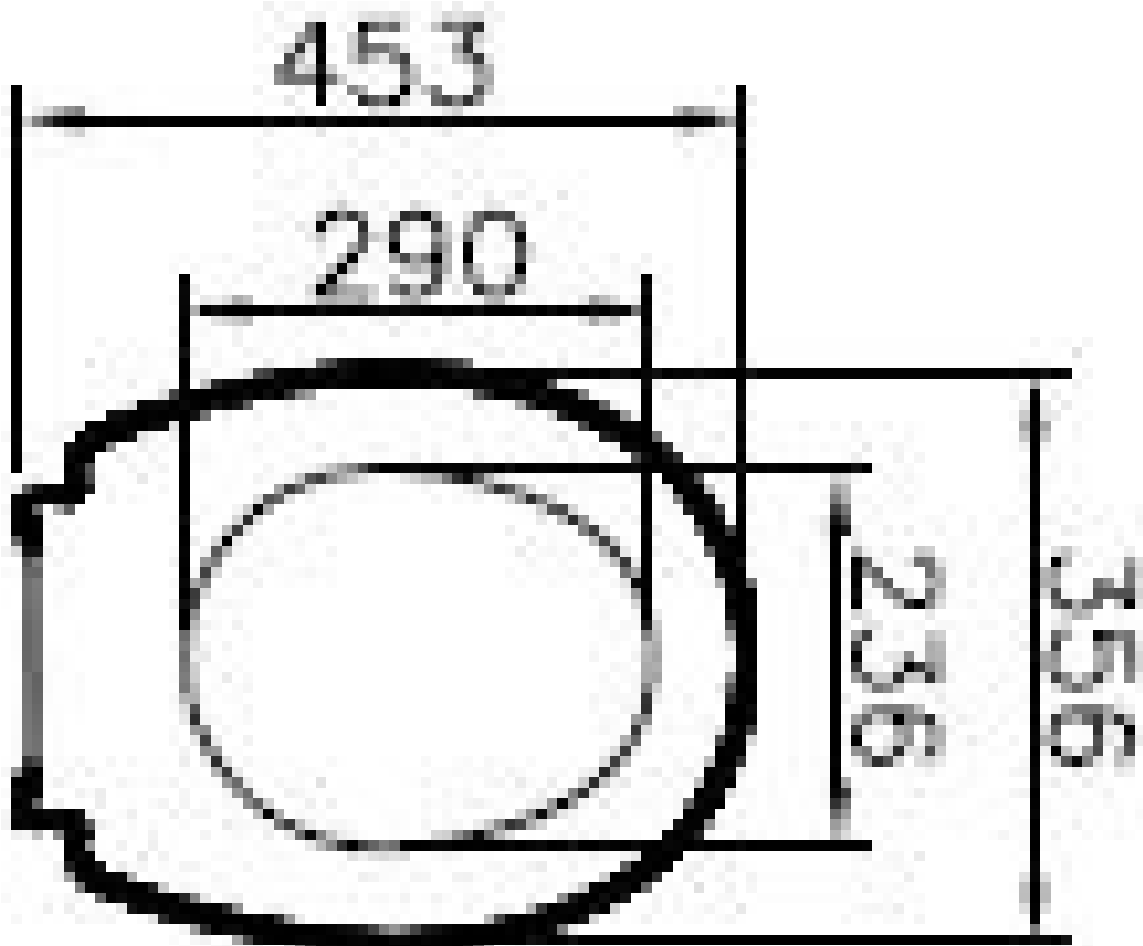
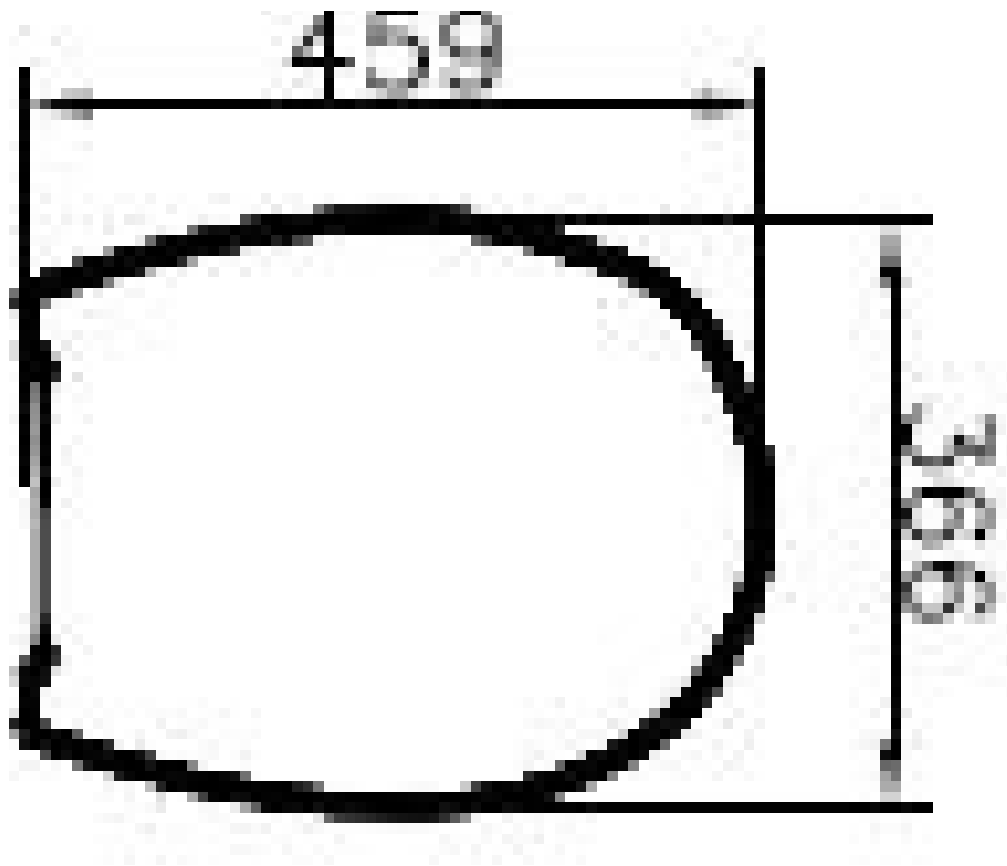


VitrA

Description Special Needs WC Seat - Duroplast crossbar metal hinge top fixing

Code 115-003-006
Hinge Option Metal Hinge, Crossbar
CE No
Material Duroplast
VitrAclean No
Colour White
Width 36,6
Height 45,9





VitrA retains the right to change details about the products and technical specifications without prior notice.