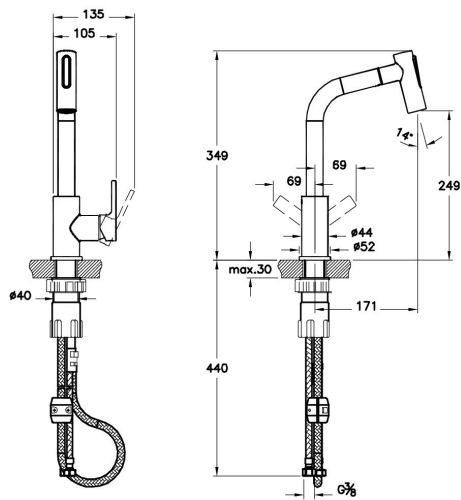


VitrA

Description Sink Mixer Maestro Pull-Out

Code	A42146EXP
Installation Type	Standard
Product Properties	Energy Saving
Bream	7
Working Pressure	0,5-10 Bar (Recommended 3-5 Bar)
DGNB	2
EPD	Yes
Coating	Chrome
Cartridge	40 mm Cartridge Flow and Temperature Adjustable
Lead	9
Aerator	Normal and Sprey Jet
Water Saving Amount	7
Colour	Chrome



VitrA retains the right to change details about the products and technical specifications without prior notice.