

Description S20 Urinal Back Water Inlet, Back Outlet

Code 5462B003-0309

Product Properties Water Saving

Connection Type Back Water Inlet

Breem 7

DGNB 5

EPD Yes

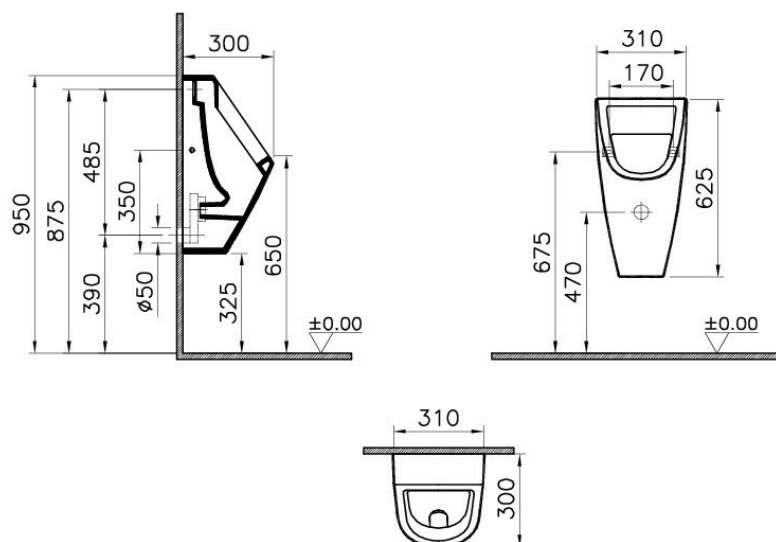
Leed 9

Material Ceramic

Water Saving Amount 5

VitrAclean No

Colour White



VitrA retains the right to change details about the products and technical specifications without prior notice.