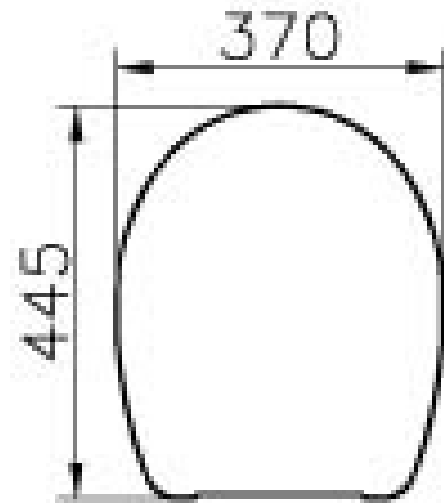
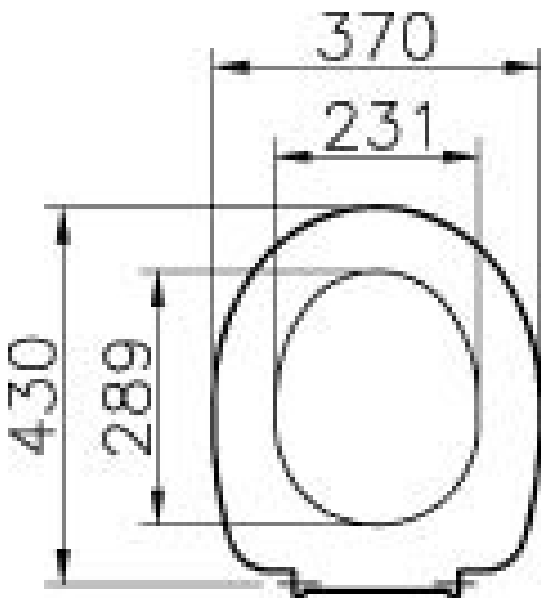

Description	Arkitekt WC Seat
Code	23-003-001
Hinge Option	Metal Hinge, Bottom Fixing
Material	Nuvoplast
Compatible Products	5111L003-0075
Colour	White



VitrA retains the right to change details about the products and technical specifications without prior notice.