

VitrA

Description

Arkitekt Urinal Lid Deliksiz, Arkadan Su Girişli, Back Outlet

Code

6201B003-0199

Product Properties

Green Building Certification

Connection Type

Back Water İnet

Breem

7

DGNB

5

EPD

Yes

Leed

9

Water Saving Amount

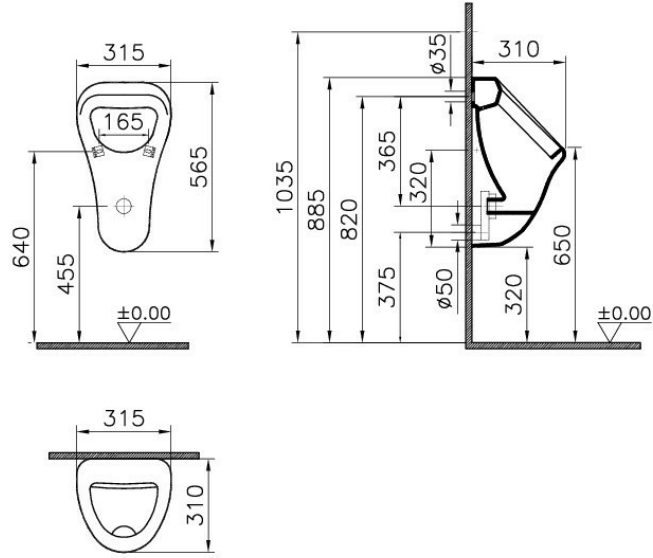
5

VitrAclean

No

Colour

White



VitrA retains the right to change details about the products and technical specifications without prior notice.