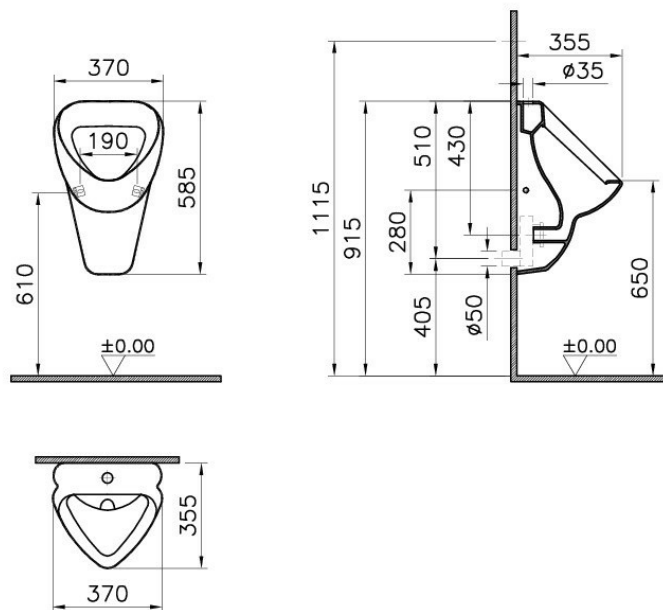


VitrA

Description Arkitekt Urinal Horizontal Outlet Top Water Inlet
Back Water Inlet

Code	6563B003-0198
Product Properties	Water Saving
Connection Type	Top Water Inlet
Breem	7
DGNB	5
EPD	Yes
Leed	9
Material	Ceramic
Water Saving Amount	5
VitrAclean	No
Colour	White



VitrA retains the right to change details about the products and technical specifications without prior notice.