

ISTANBUL CYLINDRICAL BATHTUB *by Covegrove*. ø 160cm

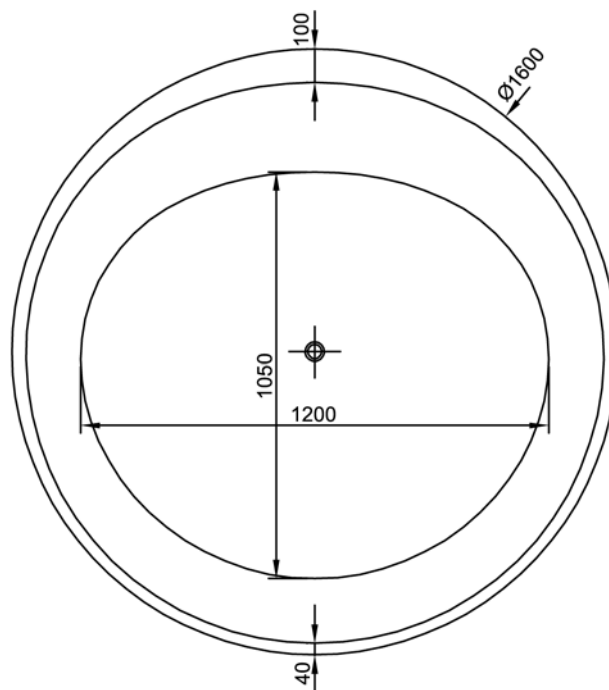
Vitra®

Size (cm) : ø160
Height (cm) : 56
Depth (cm) : 42
Weight (kg) : 36
Volume (lt) : 380
Available massage systems: Duo Maxi
Duo Soft
Aqua Maxi
Aqua Soft

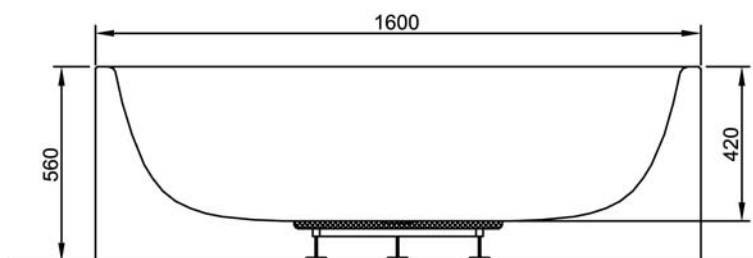


Compatible Istanbul Serie

Faucets with this product : 41819 Joystick free standing bath / shower
mixer with handshower
41811 Bath / Shower mixer
41813 Bath / Shower mixer



Plan

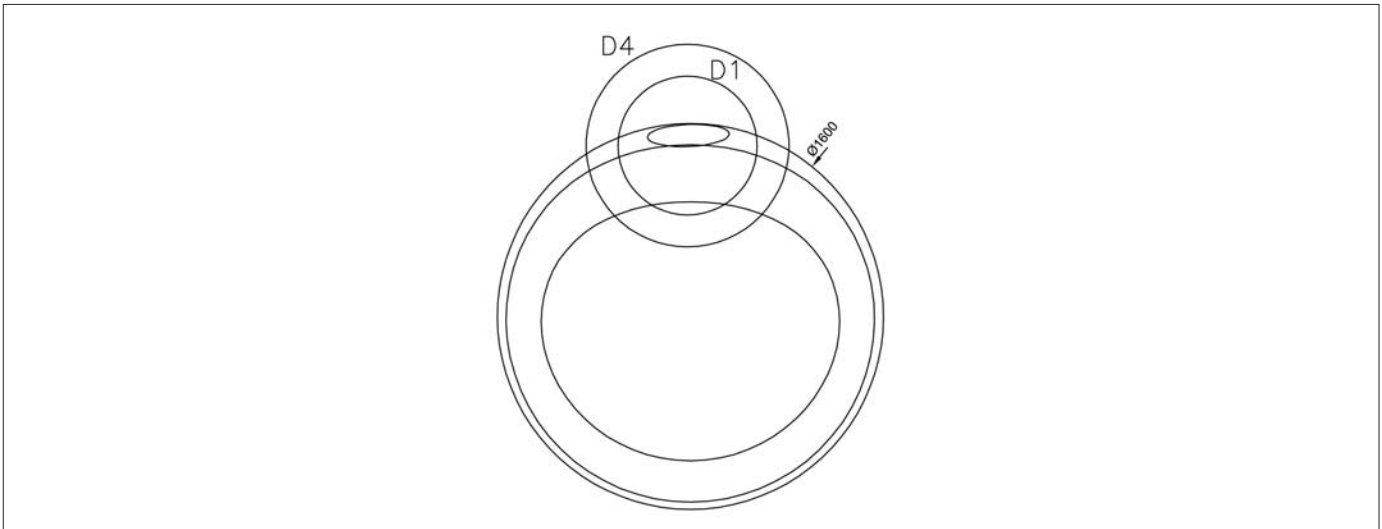


Front View

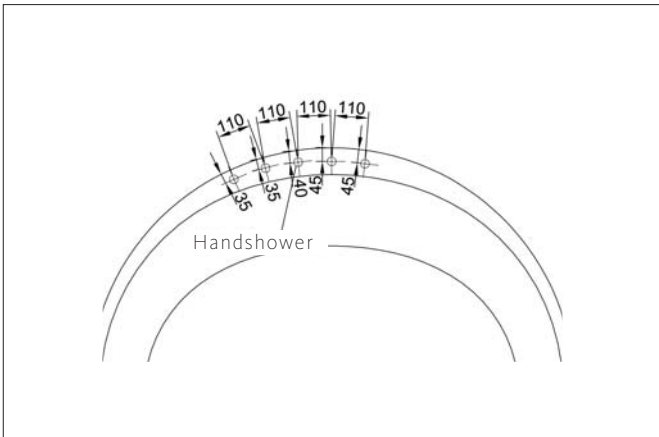
Points to Notice:

- An elbow and a waste connection hose of 50 mm. will be delivered with the product but an edge lath and other accessories are not included.
- The place where the product will be installed should be straight.
- The electrical system is running with 220 volt (with earth connection). For its connection a 3x2,5 mm. cable should be used.
- The product should be protected with an appropriate ampere fuse (for Duo Maxi System 20 ampere, for Duo Soft System 16 ampere, for Aqua Maxi and Aqua Soft Systems 10 ampere) and the amper fuse should be closed when it is not used.
- The faucet applications should be from the points shown in the drawings below which are indicated with stickers on the product.
- Handgrip application for this product is not available.
- The bathtub must be carried in the upside down position. Do not lift or support the bathtub by the panels.
- During the infrastructure installation of the product, the bathtub should be turned to its side in order to prevent the whole weight to be on the monobloc panels.
- For the cleaning of the acrylic bathtub look at the User Manual.
- Waste connection fuse, wall hangers and user manual are delivered with the product.

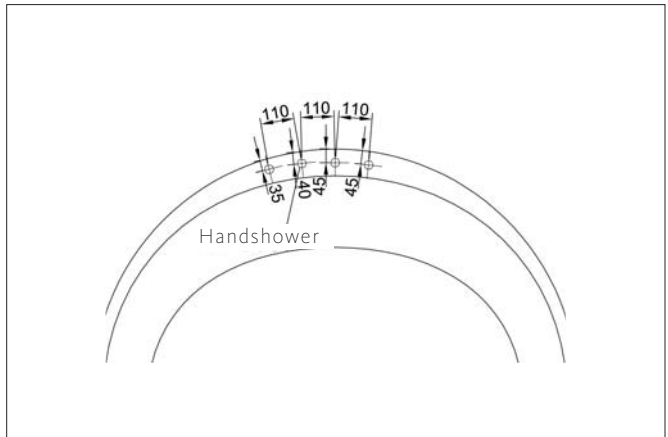
Faucet Applications



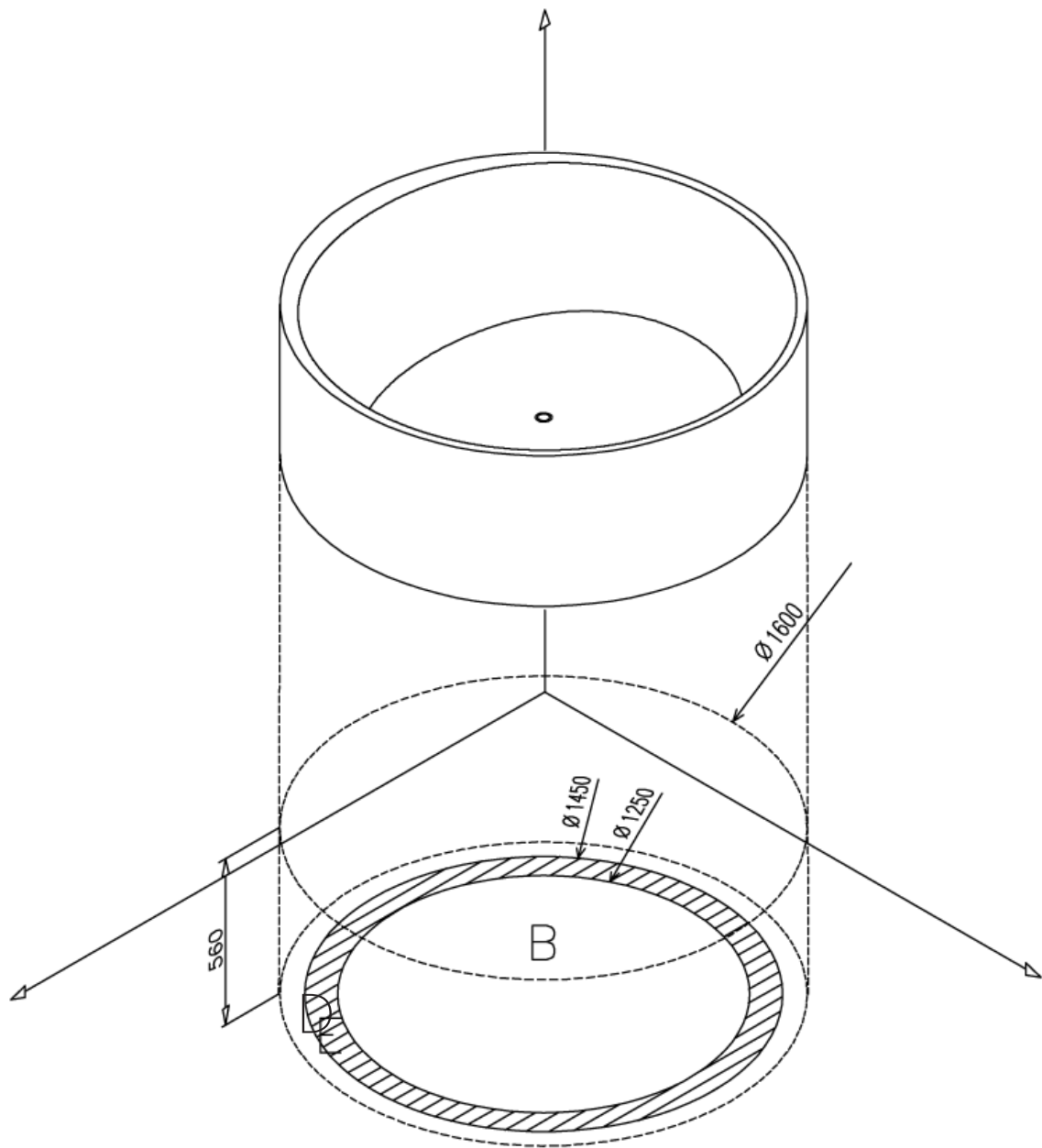
Faucet Applications Places



Bath Filler 5 Holes

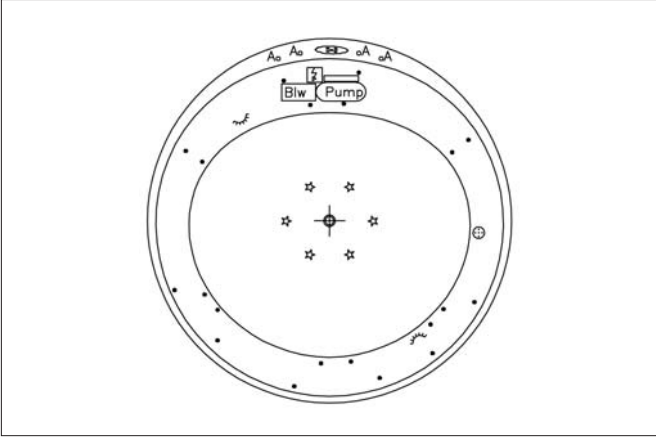


Bath Filler 4 Holes

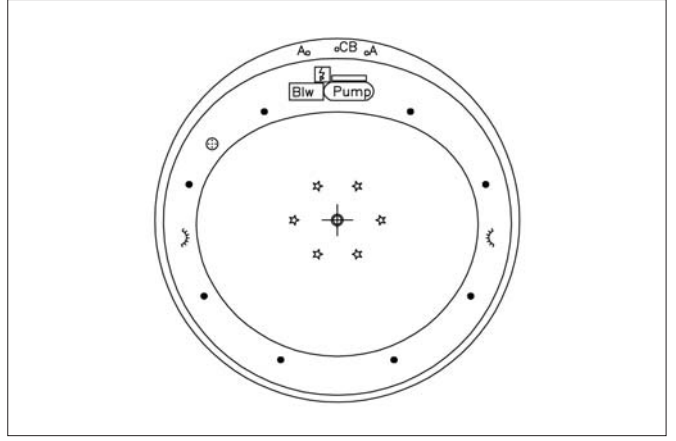


- D** : The area where the waste outlet (ø 50 mm) can be placed in.
- B** : The area (ø 200 mm.) where the waste outlet should not be left.
- D** : Hot & cold water inlet for the taps on the bathtub.
- E** : Measures for electrical connection of whirlpool tubs.

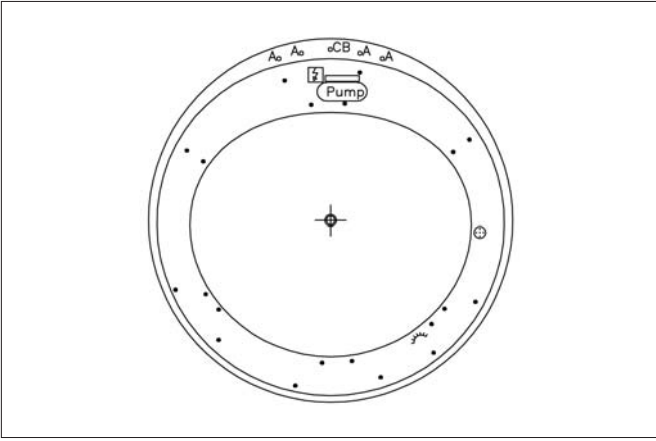
Massage Systems



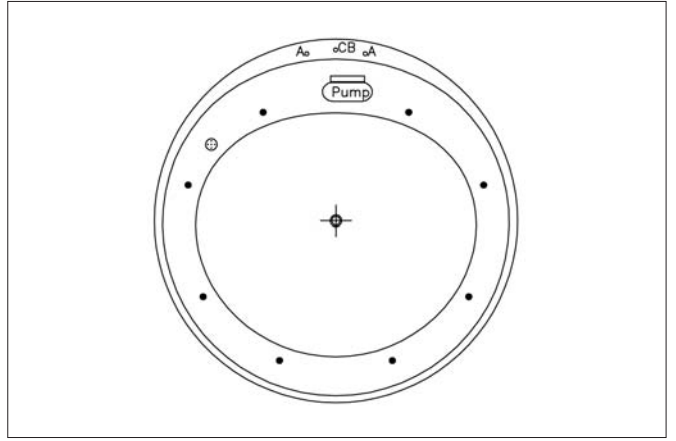
Duo Maxi



Duo Soft



Aqua Maxi



Aqua Soft

	Pump		Air Jets
	Electronic Control Panel		Waste
	Transformer		Water Jets
	Blower		Micro Water Jets
	Control Button		Underwater Light
	Air Controller		Water Suction Filter

IMPORTANT!

- For the electrical connection of the hydromassage bathtubs, earth connection is necessary.
- The cable connection of the hydromassage bathtubs should be applied as shown in the Figure.
- Check whether the yellow-green earth cables bound with the metal parts placed under the hydromassage bathtubs are connected to all legs.

