

# ISTANBUL ROUND BATHTUB *by Covegrove.* ø 160 cm

Vitra®

Size (cm) : ø160

Height (cm) : 56

Depth (cm) : 42

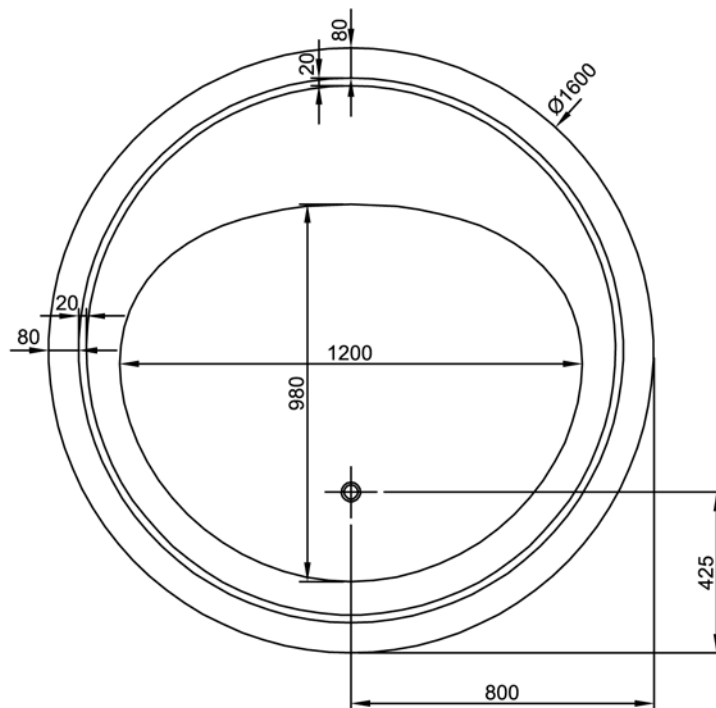
Weight (kg) : 43

Volume (lt) : 320

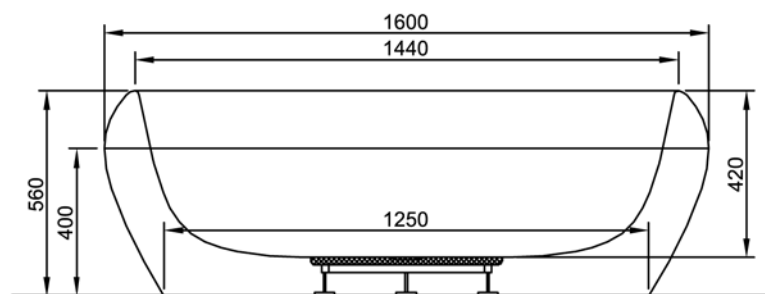
Available massage systems: Duo Soft  
Aqua Maxi  
Aqua Soft

Compatible Istanbul Serie

Faucets with this product : 41819 Joystick free standing bath / shower  
mixer with handshower



Plan



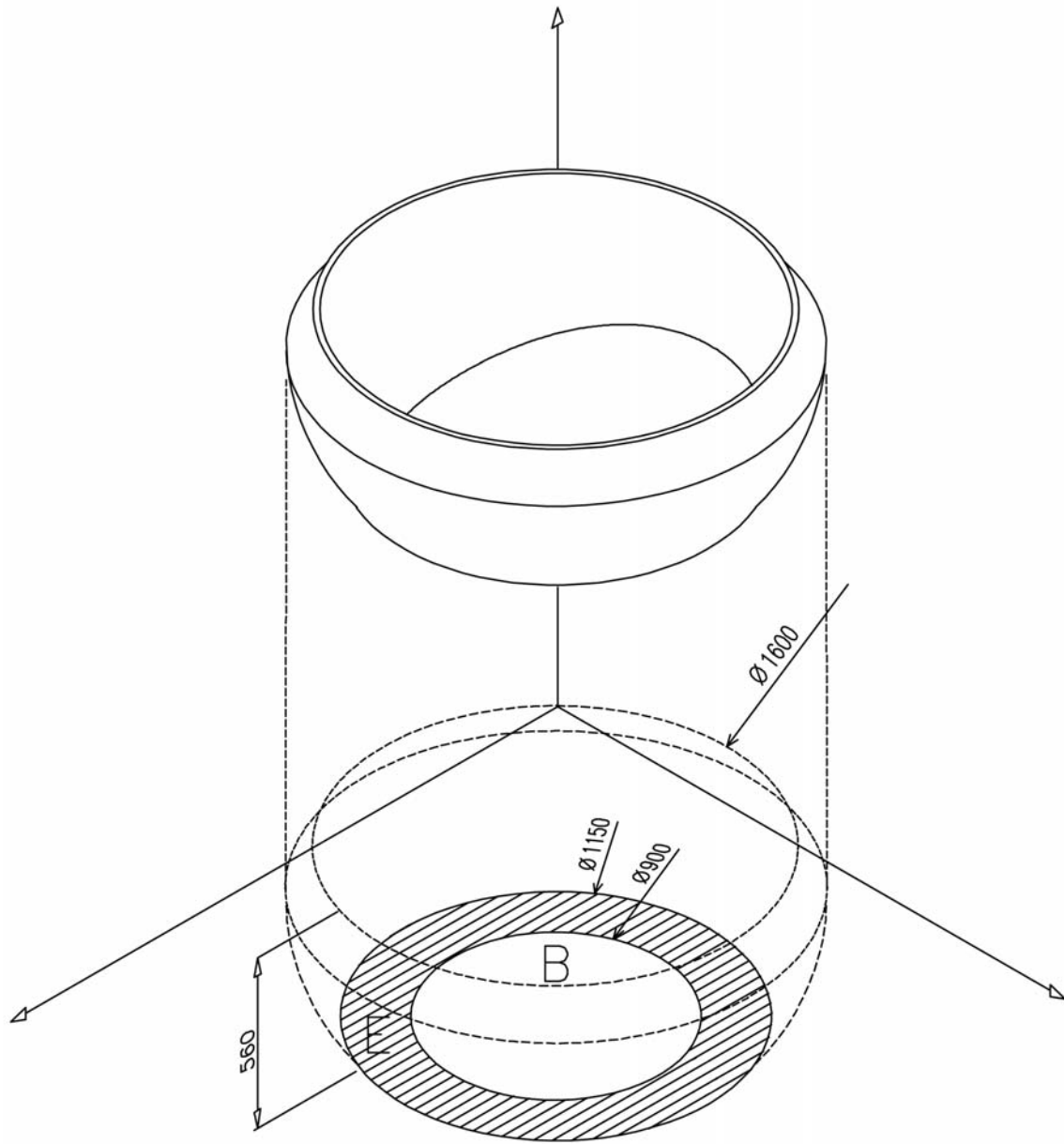
Front View

**Points to Notice:**

- An elbow and a waste connection hose of 50 mm. will be delivered with the product but an edge lath and other accessories are not included.
- The place where the product will be installed should be straight.
- The electrical system is running with 220 volt (with earth connection). For its connection a 3x2,5 mm. cable should be used.
- The product should be protected with an appropriate ampere fuse (for Duo Maxi System 20 ampere, for Duo Soft System 16 ampere, for Aqua Maxi and Aqua Soft Systems 10 ampere) and the amper fuse should be closed when it is not used.
- Handgrip application for this product is not available.
- The bathtub must be carried in the upside down position. Do not lift or support the bathtub by the panels.
- During the infrastructure installation of the product, the bathtub should be turned to its side in order to prevent the whole weight to be on the monobloc panels
- For the cleaning of the acrylic bathtub look at the User Manual.
- Waste connection fuse, wall hangers and user manual are delivered with the product.

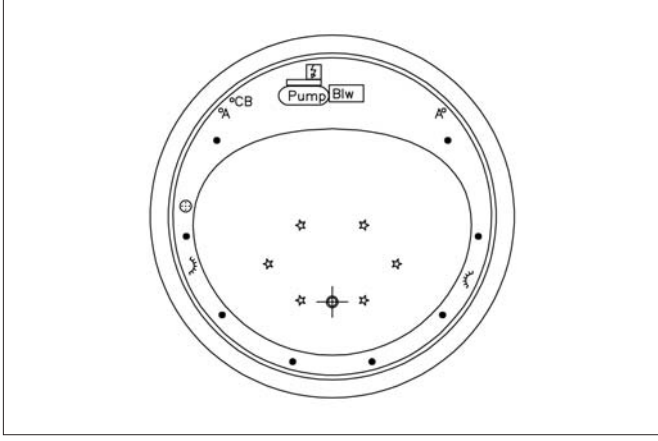
**Faucet Applications**

***ANY APPLICATION OF TABS ON THIS BATHTUB IS NOT POSSIBLE.***

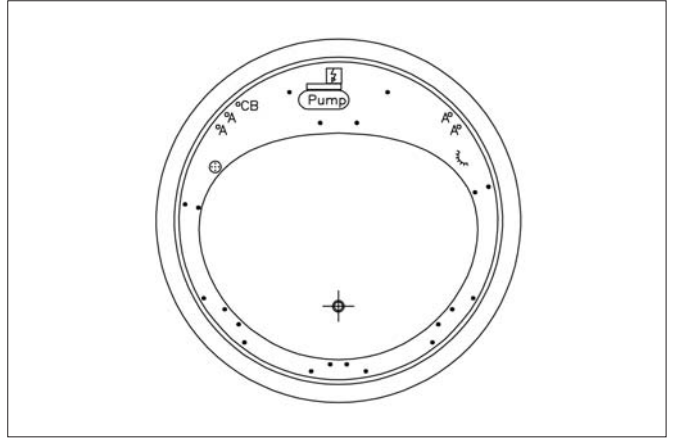


- E** : The area where the waste outlet ( $\varnothing 50\text{mm}$ ) may be placed in.
- B** : The area where the waste outlet should be avoided.
- E** : Measures for electrical connection of whirlpool tubs.

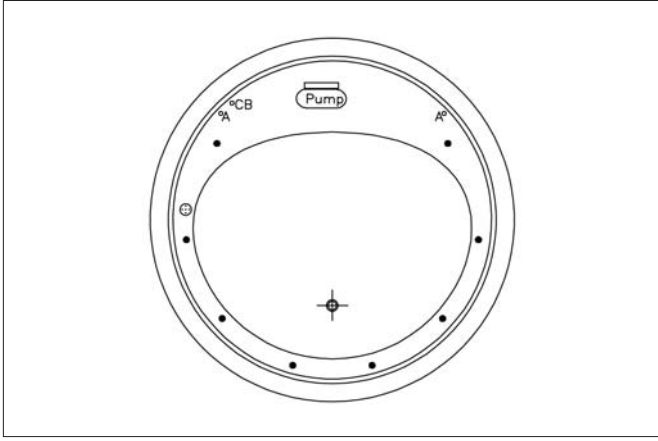
# Massage Systems



Duo Soft



Aqua Maxi



Aqua Soft

	Pump		Air Jets
	Electronic Control Panel		Waste
	Transformer		Water Jets
	Blower		Micro Water Jets
	Control Button		Underwater Light
	Air Controller		Water Suction Filter

## IMPORTANT!

- For the electrical connection of the hydromassage bathtubs, earth connection is necessary.
- The cable connection of the hydromassage bathtubs should be applied as shown in the Figure.
- Check whether the yellow-green earth cables bound with the metal parts placed under the hydromassage bathtubs are connected to all legs.

