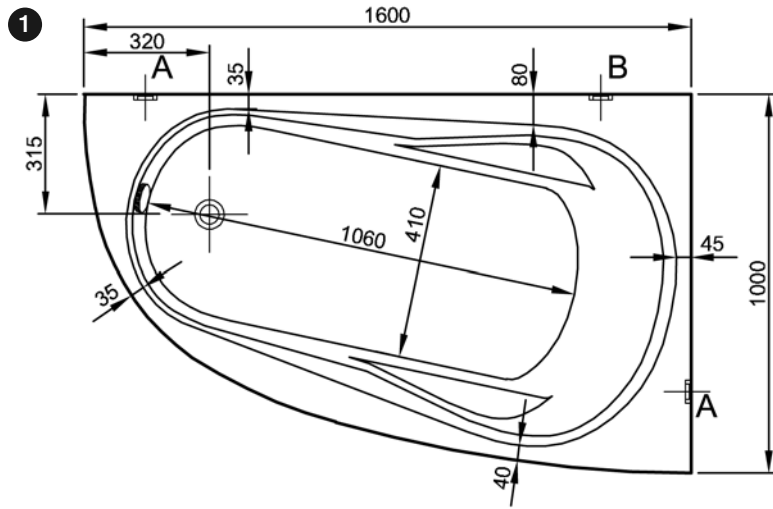


Description	: Offset (right)
Size (cm)	: 160x100
Height (cm)	: 60.5
Weight (kg)	: 25
Corner Panel Weight (kg)	: 6
Volume (lt)	: 215
Available massage systems	: Duo Soft, Aqua Maxi, Air Relax, Aqua Soft, Aqua Soft Easy



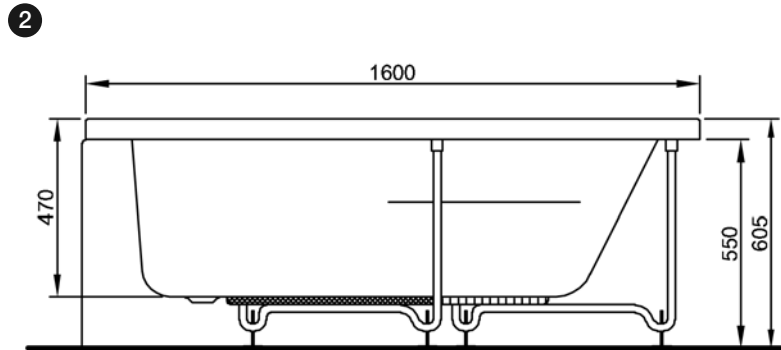
Detail A / Şekil A

Detail B / Şekil B

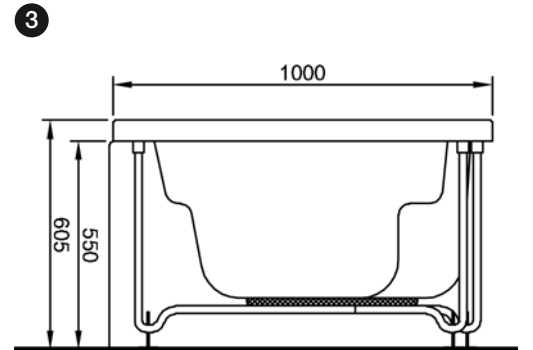
• As shown in Figure Plan, the wall hangers (details A-B) are used to fix the product to the wall. It is suggested to use the wall hangers to rigid the shower tray.

• Plan görünütüde (şekil 1) A ve B olarak gösterilen duvar askı elemanları, ürünü duvara sabitlemek amacıyla kullanılır. Duş teknesinin rijitliğini sağlamak için duvar askı elemanlarının kullanılmasını önemle tavsiye ederiz.

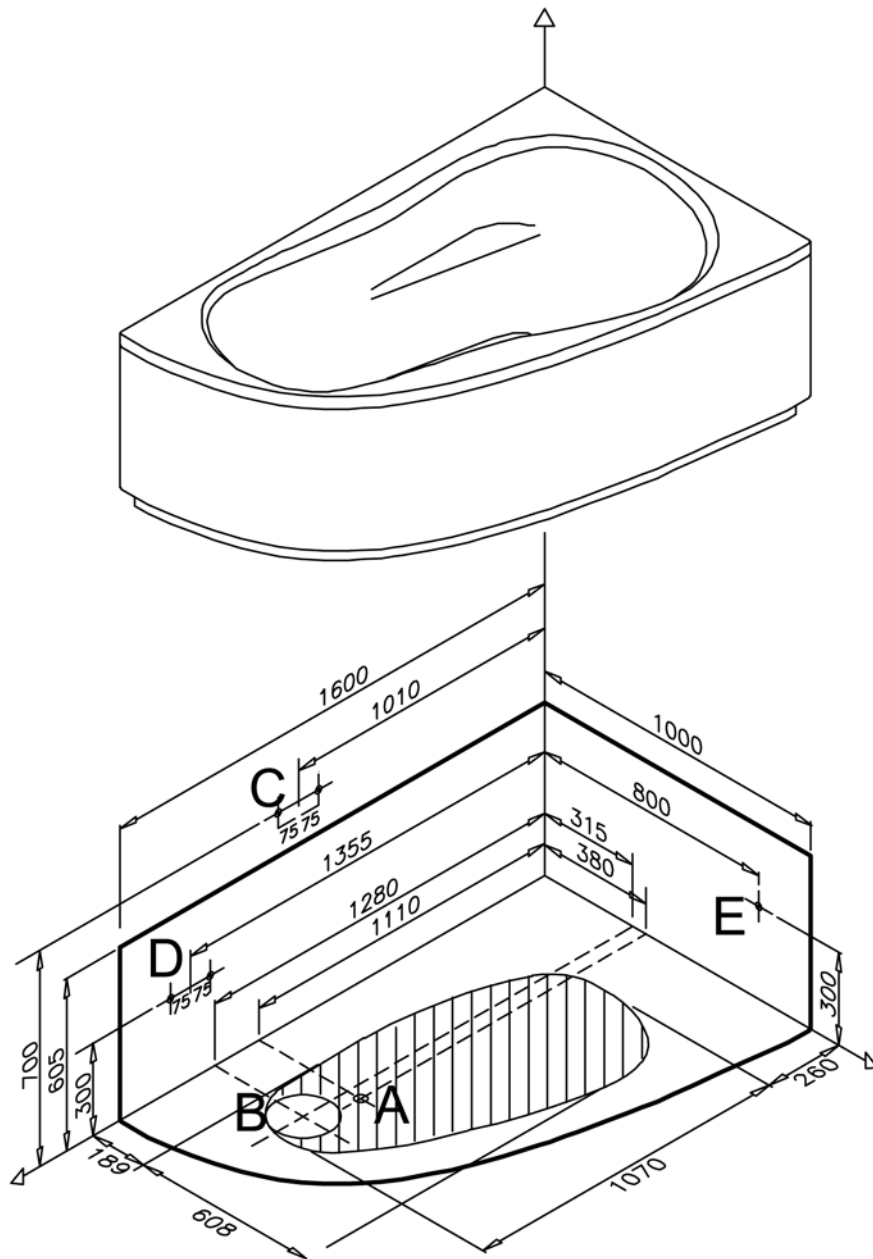
Plan



Front View



Side View



Perspective

**GB**

- ▣** : The area where the waste outlet (Ø 50 mm) can be placed in.
- A** : Ideal position of the waste outlet (Ø 50 mm). The end point of the waste outlet should not be cut out, and should be left at least 50 mm above the surface.
- B** : The area (Ø 200 mm) where the waste outlet should not be left.
- C** : Hot & cold water inlet for the wall taps.
- D** : Hot & cold water inlet for the taps on the bathtub.
- E** : Measures for electrical connection of whirlpool tubs.

**There is no need to leave additional space for the silicone during the installation process. It is enough to prepare the required area according to the size of the product.**

---

**GB**

**Points to notice:**

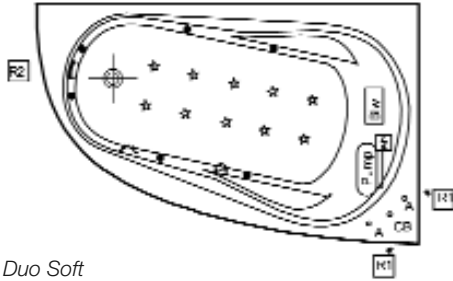
- *The place where the product will be installed should be straight. The ground should be even.*
- *Comfort Offset 160x100 has two symmetrical models: right and left. By looking from the siphone side to the product, the direction of the bathtub can be determined. When it is narrowing from the right side than it is Comfort Offset Right and when it is narrowing from the left side it is Comfort Offset Left. This technical sheet is prepared for Comfort Offset Left. High attention should be paid to understand whether it is Comfort Offset Right or Comfort Offset Left for the sake of installation system and wall-installed faucet applications.*
- *An elbow and a waste connection hose of 50 mm will be delivered with the product but an edge lath and other accessories are not included.*
- *A ventilation and access window should be left if the hydromassage bathtub is installed without panels.*
- *During the installation of the panels, the adjustment of the leg set should be carried out according to the height of the panel.*
- *The faucet applications should be from the points shown in the drawings below which are indicated with stickers on the product.*
- *The faucet should not be applied on the pump of the hydromassage bathtub.*
- *The spout should be min 17 cm if the faucets are installed to the wall.*
- *Handgrip application for this product is not available.*
- *For the cleaning of the acrylic bathtub look at the User Manual.*
- *Waste connection fuse, wall hangers and user manual are delivered with the product.*

**Faucet Applications**

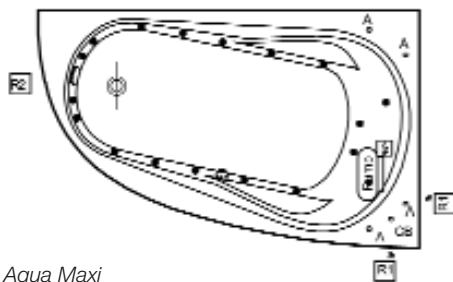
*ANY APPLICATION OF FAUCETS ON THIS BATHTUB IS NOT POSSIBLE.*

---

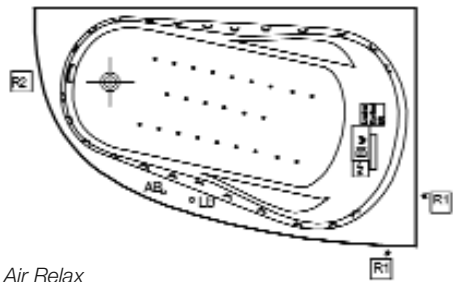
## Massage Systems



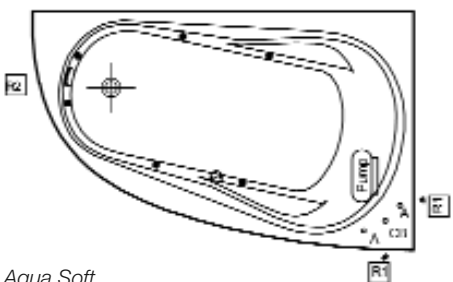
Duo Soft



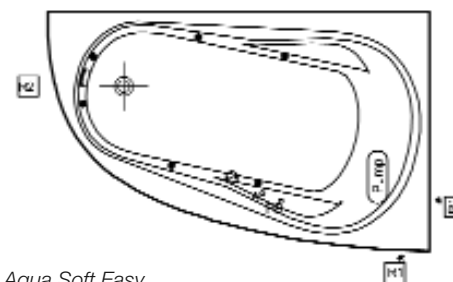
Aqua Maxi



Air Relax



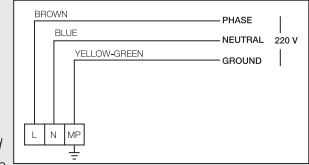
Aqua Soft



Aqua Soft Easy

### IMPORTANT!

- For the electrical connection of the hydromassage bathtubs, "earth" connection is necessary.
- The electrical system is running with 220 volt. For its connection a 3x2,5 mm cable should be used.
- The cable connection of the hydromassage bathtubs should be applied as shown in the Figure.
- Check whether the yellow-green earth cables bound with the metal parts placed under the hydromassage bathtubs are connected to all legs.



### GB

	Pump
	Electronic Control Panel
	Transformer
	Blower
	Control Button
	Air Controller
	Push Button
	Air Jets
	Waste
	Water Jets
	Micro Water Jets
	Underwater Light
	Water Suction Filter
	LED Control Button
	Micro Air Jets Control Button
	Micro Air Jets
	LED
	System of Disinfection
	Disinfection Control Button
	Disinfection Filling Box
	Siphone

### GB

If the bathtub is used without panels, the following airing and access windows should be applied:

- Access window (min. 400x400 mm)
- Ventilation and access window (min. 400x400 mm)
- Access window (min. 400x400 mm)
- Ventilation and access window (min. 250x250 mm)

\* The product should be protected with an appropriate ampere fuse (for Aqua Nano System 16 ampere, Duo Maxi and Duo Soft Systems 16 ampere, for Aqua Maxi, Aqua Soft, Aqua Soft Easy and Air Relax System 10 ampere) and the ampere fuse should be closed when it is not used.